



# ELECTRIC REEL MOWER

16-INCH | 6.5-AMP

## OPERATOR'S MANUAL

A Division of Snow Joe®, LLC

Model MJ506E

Form No. SJ-MJ506E-880E-MR3

## IMPORTANT! Safety Instructions

### All Operators Must Read These Instructions Before Use

Always follow these safety guidelines. Failure to do so may result in serious bodily injury or death.

### General Safety WARNINGS!

When using this electric reel mower, basic safety precautions should always be followed to reduce the risk of fire, electric shock, and personal injury. These precautions include:

**⚠️ WARNING!** Do not operate without the entire grass collection bag or other safety protective devices in place and in proper working order.

**⚠️ WARNING!** The use of any other accessory or attachment might increase the risk of injury.

**⚠️ WARNING!** To reduce the risk of injury, inspect the grass collection bag frequently and replace with recommended replacement if there are signs of wear or deterioration.

Before using the lawn mower, take the time to familiarize yourself with the controls, especially how to stop the lawn mower in an emergency. The only individuals who should use the lawn mower are those who have a thorough understanding of the instructions and who know how to operate the machine. Children should never be allowed access to the lawn mower.

Retain this manual for future reference and reread it at the start of each mowing season.

### FOR DOUBLE-INSULATED LAWN MOWERS

- 1. Replacement parts** – When servicing this unit, use only identical replacement parts. Replace or repair damaged cords immediately.
- 2. Polarized plug** – Polarized appliance connections reduce the risk of electric shock. This lawn mower has a polarized plug (one blade is wider than the other) and will require the use of a polarized extension cord. There is only one way the lawn mower's plug will fit into a polarized extension cord. If the plug does not fit fully into the extension cord,

reverse the plug. If the plug still does not fit, obtain a correct polarized extension cord. A polarized extension cord will require the use of a polarized wall outlet. There is only one way the plug will fit into a polarized wall outlet. If the plug does not fit fully into the wall outlet, reverse the plug. If the plug still does not fit, contact a qualified electrician to install the proper wall outlet. Do not change the equipment plug, extension cord receptacle, or extension cord plug in any way.

**⚠️ WARNING!** Contact with moving parts may cause entanglement, dismemberment, or other serious bodily injury. Always keep body parts (i.e. hands, feet) a safe distance away from moving parts. Ensure all covers and guards are securely in place before use.

**Hot surfaces (i.e. the motor) may ignite flammable or combustible items and cause a fire or explosion, which can result in serious bodily injury. Keep the lawn mower a safe distance away from flammable or combustible items until surfaces that are hot have completely cooled. Do not store the lawn mower near flammable or combustible items.**

**Damaged blades or worn blade nut may break off the lawn mower assembly and cause serious injury. Replace the damaged blades or blade nut before using the lawn mower.**

### FOR ALL LAWN MOWERS

- 1. Avoid dangerous conditions** – Do not use the lawn mower in the rain or when the grass is damp or wet.
- 2. Keep children, bystanders, and pets away** – Always keep children and spectators a safe distance away from the lawn mower during operation and as the machine cools.
- 3. Dress properly** – Always wear personal safety gear (i.e. glasses, rubber gloves, protective footwear, and dust masks) and proper clothing when using the lawn mower. Loose clothing, long hair, or jewelry may get caught in the moving parts. Wear a protective covering to contain long hair.
- 4. Use the right appliance** – Do not use the lawn mower for any applications other than those for which it was intended.
- 5. Do not force the lawn mower** – It will perform better with less likelihood of personal or mechanical injury if it is used at the rate for which it was designed.
- 6. Do not overreach** – Keep proper footing and balance at all times.
- 7. Stay alert** – Always stay alert and watch what you are doing. Use common sense. Do not operate the lawn

mower when you are tired or under the influence of alcohol or drugs. This lawn mower is not designed to be used by people (including children) with limited physical, sensory or mental capacities. It should also not be used by those lacking the proper experience and/or knowledge unless they are supervised by a person who is responsible for their safety or they have received instructions from such a person on how to safely use the equipment.

- 8. **Disconnect the lawn mower** – Disconnect the lawn mower from the power supply when it is not in use, before servicing, when changing accessories, and when performing any other maintenance task.
- 9. **Store idle lawn mower indoors** – When not in use, the lawn mower should be stored indoors in a dry, locked place out of the reach of children.
- 10. **Maintain the lawn mower with care** – Keep cutting edges sharp and clean for best and safest performance.

Inspect the lawn mower cord periodically and if damage is found have it repaired by an authorized service facility. Extension cords should also be inspected periodically and immediately replaced if damaged. Keep handles dry, clean, and free from oil and grease.

## Electrical Safety

- 1. Ground fault circuit interrupter (GFCI) protection should be provided on the circuit(s) or outlet(s) to be used for the lawn mower. Receptacles are available having built-in GFCI protection and may be used for this measure of safety.

- 2. To reduce the risk of electric shock, this appliance has a polarized plug (i.e. one blade is wider than the other). Use this appliance only with a polarized, UL-listed (CSA certified in Canada) extension cord recommended for outdoor use. The appliance plug will fit into a polarized extension cord only one way.

If the appliance plug does not fit fully into the extension cord, reverse the plug. If the plug still does not fit, obtain a correct polarized extension cord. A polarized extension cord will require the use of a polarized wall outlet. The extension cord plug will fit into the polarized wall outlet only one way. If the plug does not fit fully into the wall outlet, reverse the plug. If the plug still does not fit, contact a qualified electrician to install the proper wall outlet. Do not modify the appliance plug, extension cord receptacle, or extension cord plug in any way.

- 3. To prevent electric shock, use only with an extension cord suitable for outdoor use, such as SW, SOW, STW, STOW, SJTW, or SJTOW.

Before use, check that the extension cord is in good condition. When using an extension cord, make sure to use one heavy enough to carry the current your product will draw. An undersized cord will cause a drop in line voltage resulting in loss of power and overheating.

⚠ **WARNING** ⚠

**Electric shock may cause SEVERE INJURY or DEATH. Heed these warnings:**

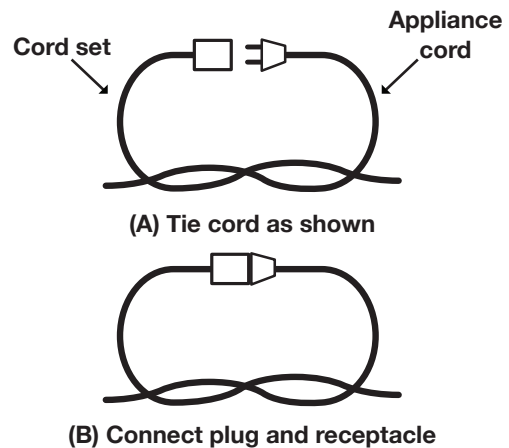
- Do not allow any part of the lawn mower to make contact with water while it is in operation. If the appliance becomes wet while turned off, wipe dry before starting.
- Use only a UL-, CSA-, or ETL-rated extension cord for outdoor, all-weather use.
- Do not use an extension cord over 100 ft (30 m).
- Do not touch the appliance or its plug with wet hands or while standing in water. Wearing rubber boots offers some protection.

**EXTENSION CORD CHART**

Extension Cord Length	Up to 50 ft (15 m)	+50 ft - 100 ft (+15 m - 30 m)
Wire Gauge (A.W.G.):	16	14


- 4. To prevent the appliance cord from disconnecting from the extension cord during operation, make a knot with the two cords as shown in Table 1.

**Table 1. Method of Securing Extension Cord**



- 5. Do not abuse the cord. Never pull the lawn mower by the cord or yank the cord to disconnect it from the receptacle. Keep the cord away from heat, oil, and sharp edges.

## Double-Insulated Appliances

In a double-insulated appliance, two systems of insulation are provided instead of grounding. No grounding means are provided on a double-insulated appliance, nor should a means for grounding be added to the appliance. Servicing a double-insulated appliance requires extreme care and knowledge of the system, and should be performed only by qualified service personnel at an authorized Snow Joe® + Sun Joe® dealer. Replacement parts for a double-insulated appliance must be identical to the parts they replace. A double-insulated appliance is marked with the words “Double Insulation” or “Double Insulated.” The symbol  (square within a square) may also be marked on the appliance.



**DOUBLE-INSULATED: GROUNDING NOT REQUIRED. WHEN SERVICING, USE ONLY IDENTICAL REPLACEMENT PARTS.**

This electric reel mower is double-insulated, eliminating the need for a separate grounding system. Use only identical replacement parts. Read the instructions before servicing double-insulated appliances. Use this lawn mower only as described in this manual.

## IMPORTANT! Safety Instructions for Walk-Behind Mowers

### General Operation

- Read, understand, and follow all instructions on the machine and in the manual(s) before starting.
- Do not put hands or feet near or under the machine. Always stay clear of the discharge opening.
- Keep guards in place and in proper working order.
- Only responsible adults who are familiar with the instructions should be allowed to operate this machine.
- Clear the mowing area of foreign objects such as rocks, wire, toys, and other miscellaneous articles, which could be picked up and thrown by the blade. Stay behind the handle when the engine (motor) is running.
- Make sure that the mowing area is clear of bystanders before starting the machine. Stop the machine if anyone enters the area.
- Do not operate the machine while barefoot or while wearing sandals. Always wear substantial footwear.
- Always look down and behind before and while moving backward with the lawn mower.

- Never direct discharged material toward anyone. Avoid discharging material against a wall or other obstruction.
- Never leave a running machine unattended.
- Stop the engine (motor) and wait until the blade comes to a complete stop before cleaning the machine, removing the grass collection bag, changing accessories, or unclogging the discharge guard.
- Operate the machine only in daylight or in good artificial light.
- Do not operate the machine when you are tired or under the influence of alcohol or drugs.
- Never operate the lawn mower in wet grass. Always be sure of your footing; walk, never run, with the lawn mower.
- If the machine should start to vibrate abnormally, stop the engine (motor) and immediately check the machine to ascertain the cause. Vibration is generally a signal of trouble.
- Keep blades sharp.
- Keep hands and feet away from the cutting area.
- Always wear eye protection when operating the machine.
- Objects struck by the lawn mower blade can cause severe injuries. The mowing area should always be carefully examined and cleared of all objects prior to each mowing.
- If the lawn mower strikes a foreign object, follow these steps:
  - i) Stop the lawn mower by releasing the ON/OFF switch levers.
  - ii) Unplug the power cord.
  - iii) Inspect for damage.
  - iv) Repair any damage before restarting and operating the lawn mower.
- Only use identical replacement blades.

### Slope Operation

Slopes are major factors related to slip and fall accidents, which can result in severe injury. Operation on all slopes requires extra caution. If you feel uneasy on a slope, do not mow it.

- Mow across the face of slopes; never mow slopes following an up and down traverse. Exercise extreme caution when changing direction on a slope.
- Watch for holes, ruts, bumps, rocks, or other hidden objects. These may cause an unexpected slip or fall.
- Do not mow on wet grass or excessively steep slopes. Poor footing could cause a slip and fall accident.
- Do not mow near drop offs, ditches, or embankments. You could lose your footing or balance.

## Children

Tragic accidents can occur if the operator is not alert to the presence of children. Children are often attracted to the machine and the mowing activity. Never assume that children will remain where you last saw them.

- Keep children out of the mowing area and under the watchful care of a responsible adult other than the operator.
- Stay alert and turn the lawn mower off if a child enters the area.
- Never let children operate the machine.
- Use extra care when approaching blind corners, shrubs, trees, or other objects that may block your view of a child.

















## Service

- Keep all nuts and bolts tight.
- Never tamper with safety devices. Regularly check to ensure these devices are in place and in proper working order.
- Keep the lawn mower free from grass, leaves, or other debris buildup.
- Never make any adjustments or repairs with the engine (motor) running. Always unplug electric reel mowers before adjusting, cleaning, or repairing.
- Check the grass bag components and the discharge guard frequently and replace with manufacturer's recommended parts when necessary.
- Mower blades are sharp. Wrap the blade or wear gloves, and use extra caution when servicing them.
- Maintain or replace safety and instruction labels, as necessary.



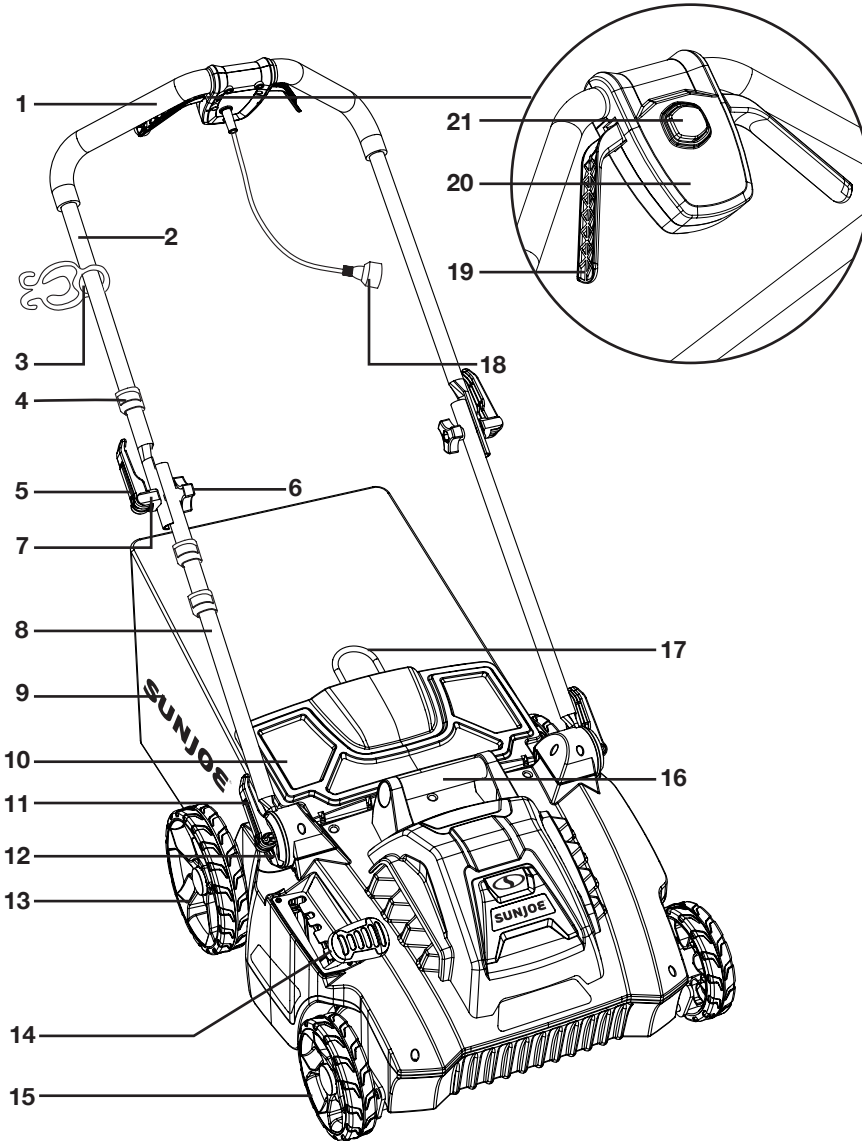
# Safety Symbols

The following table depicts and describes safety symbols that may appear on this product. Read, understand, and follow all instructions on the machine before attempting to assemble and operate.

Symbols	Descriptions	Symbols	Descriptions
	CPSC danger label.		Keep bystanders and children a safe distance away.
	Safety alert. Caution.		To reduce the risk of injury, user must read instruction manual.
	Wear eye and hearing protection. For protection against injury, wear ear defenders and safety goggles.		Do not expose the unit to the rain.
	Disconnect the mains plug if the cord is damaged or entangled.		<b>WARNING!</b> Turn the machine OFF and disconnect it from the power supply before inspecting, cleaning, changing accessories, or conducting any other maintenance task.
	Thrown objects and rotating blades can cause severe injury.		Slip on slope hazard – Use extra caution when mowing on slopes to prevent slip and fall accidents.
	Severing of toes or fingers by rotary mower blades.		Keep extension cord away from cutting blades.
	<b>DANGER!</b> Rotating blades pose a serious risk of injury. Keep hands and feet away from openings while the machine is running.		Look behind when backing up with the lawn mower.
	Blades continue to rotate after machine is switched off.		Double Insulation.

# Know Your Electric Reel Mower

Read the owner's manual and safety instructions carefully before operating the lawn mower. Compare the illustration below to the lawn mower in order to become familiar with the location of the various controls and adjustments. Save this manual for future reference.



- 1. Soft grip
- 2. Upper handle frame
- 3. Extension cord restraint hook
- 4. Cable clips (3)
- 5. Upper handle latches (2)
- 6. Upper handle knobs (2)
- 7. Upper handle washers (2)
- 8. Lower handle bars (2)
- 9. Grass collection bag
- 10. Ejector flap
- 11. Lower handle latches (2)
- 12. Lower handle base (2)
- 13. Rear wheels (2)
- 14. Height adjustment lever
- 15. Front wheels (2)
- 16. Housing handle
- 17. Grass collection bag handle
- 18. Appliance cord
- 19. On/Off switch levers (2)
- 20. Switch box
- 21. Safety lock button

## Technical Data

Rated Voltage .....	120V ~ 60 Hz	Cutting Height .....	1.0 in.   1.4 in.   1.8 in.   2.2 in.   2.6 in. (25 mm   35 mm   45 mm   55 mm   65 mm)
Motor .....	6.5A	Grass Bag Capacity .....	14.6 gal (55 L)
No Load Speed .....	3,300 rpm	Net Weight .....	31.7 lbs (14.4 kg)
Rotor .....	24 sharpened steel blades		
Cutting Width Max .....	16 in. (40.6 cm)		

# Unpacking

## Carton Contents

- Electric reel mower
- Upper handle frame
- Lower handle bars (2)
- Grass collection bag
- Upper handle latches with long bolts (2)
- Upper handle knobs (2)
- Upper handle washers (2)
- Lower handle latches with short bolts (2)
- Lower handle bases (2)
- Extension cord restraint hook
- Cable clips (3)
- Manual and registration card

1. Carefully remove the lawn mower and check to see that all of the above items are supplied.
2. Inspect the product carefully to make sure no breakage or damage occurred during shipping. If you find damaged or missing parts, DO NOT return the unit to the store. Please call the Snow Joe® + Sun Joe® customer service department at 1-866-SNOWJOE (1-866-766-9563).

**NOTE:** Do not discard the shipping carton and packaging material until you are ready to use your new electric reel mower. The packaging is made of recyclable materials. Properly dispose of these materials in accordance with local regulations.

**IMPORTANT!** The equipment and packaging material are not toys. Do not let children play with plastic bags, foils, or small parts. These items can be swallowed and pose a suffocation risk!

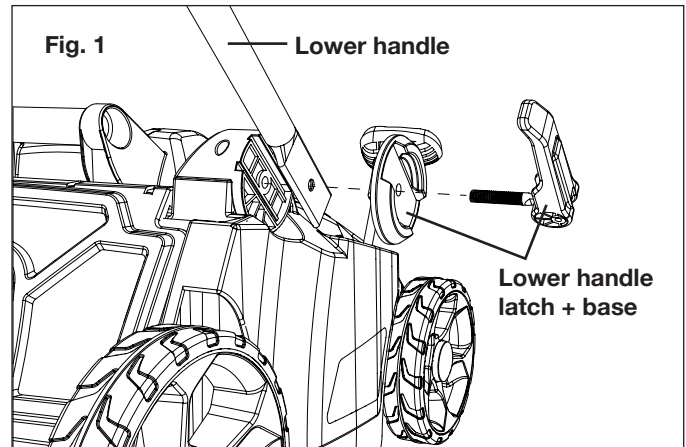
## Assembly

**⚠ WARNING!** Do not connect to the power supply until assembly is complete. Failure to comply could result in accidental starting and serious personal injury.

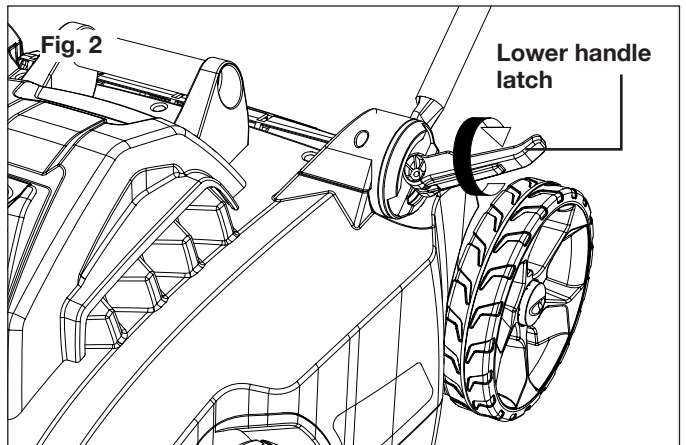
**⚠ WARNING!** Never operate the mower without the proper devices in place. Never operate the mower with damaged safety devices. Failure to heed these warnings can result in serious injury.

## Handle Assembly

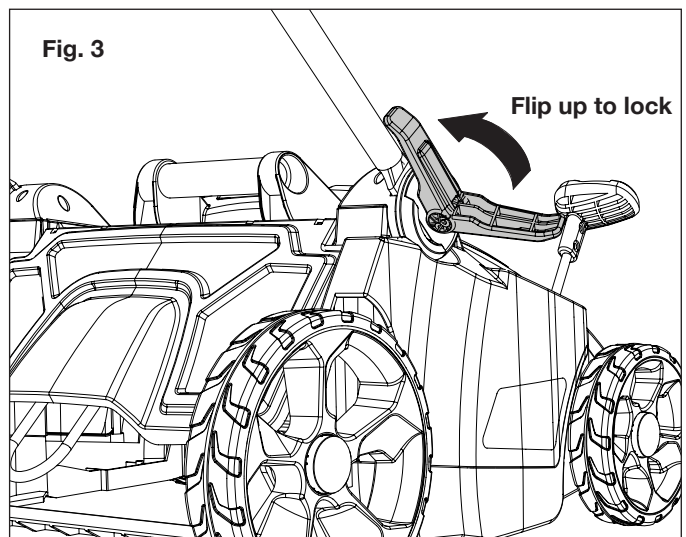
1. Fit the lower handle bar on the same side with the height adjustment lever of the unit. Secure with one set of the lower handle base and latch with short bolt (Fig. 1).



2. Twist the latch clockwise until nearly tight (Fig. 2).

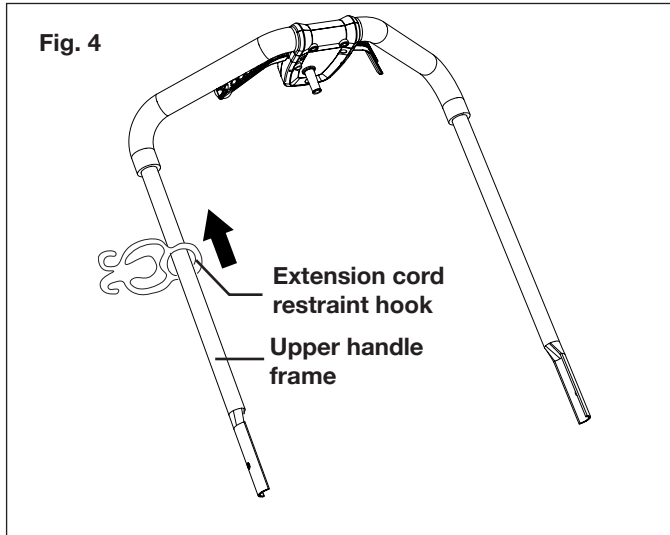


3. Align latch with the notch in the latch base. Flip up and press firmly to lock (Fig. 3).

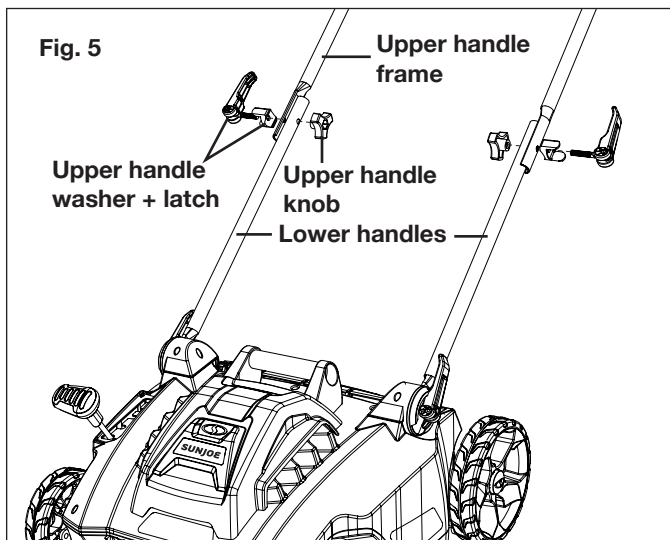


**NOTE:** If the latch is too difficult to flip up, loosen it 1 - 2 full rotations before trying again.

- Repeat the above instructions to assemble the lower handle bar on the other side.
- Slide the extension cord restraint hook onto the upper handle frame (Fig. 4).

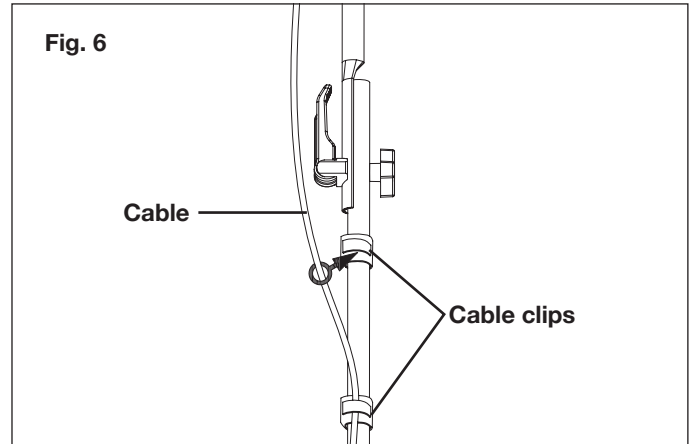


- Fit the upper handle frame on the ends of the lower handle bars, and secure with the upper handle latches with long bolts, washers, and knobs, as shown. Tighten securely, then flip latch up to lock (Fig. 5).



**NOTE:** If the latch is too difficult to flip up, loosen it 1 - 2 full rotations before trying again.

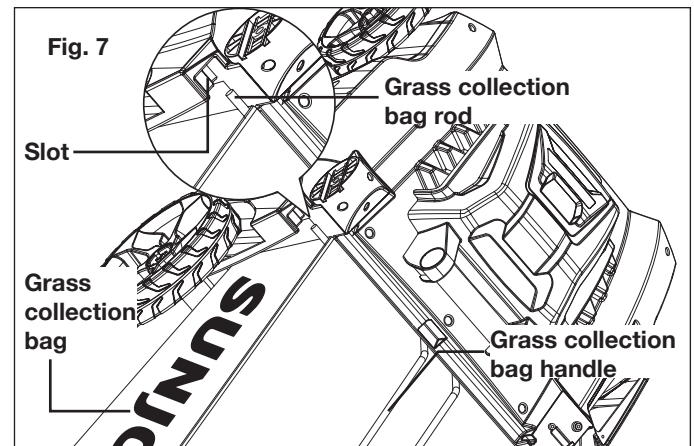
- Clip on the cable clips, and insert the cable into the cable clips (Fig. 6)



## Grass Collection Bag Assembly + Fitting

The grass collecting bag prevents grass clippings being thrown across your lawn as you mow.

- Lift the ejector flap with one hand. With the other hand, hold the grass collection bag by the handle and hook it in from above. Make sure the bag rods are hooked in the slots on both sides (Fig. 7).



## Operation

This lawn mower is intended for private residential use to cut grass in small lawns and gardens. This lawn mower is not intended to cut grass in public parks, playing fields, farms, or forests. Do not use this lawn mower for any application other than that for which it is intended.

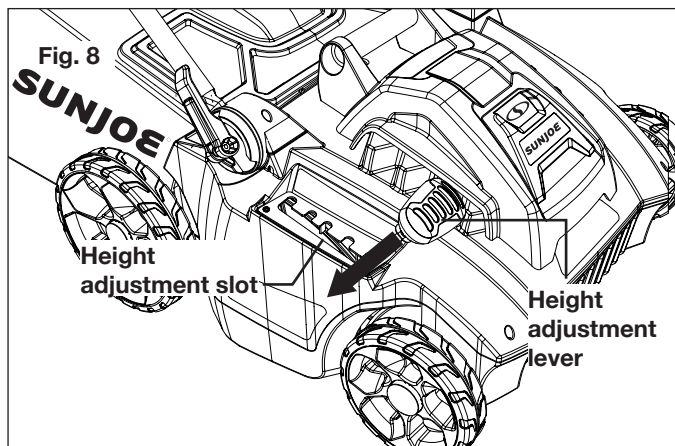
## Adjusting the Cutting Height

This electric reel mower is equipped with a 5-position height adjustment system to tailor grass cutting heights from 1.0 inch to 2.6 inch. To change the cutting height of the grass, follow the instructions below.

**⚠️ WARNING!** Before making these adjustments, disconnect the power supply to the lawn mower and wait until the rotating blades have come to a complete standstill.

**ALWAYS FOLLOW ALL SAFETY PRECAUTIONS AND RECOMMENDATIONS LISTED PREVIOUSLY IN THIS MANUAL.**

1. Power off and unplug the lawn mower.
2. Pull the height adjustment lever out of the original slot (Fig. 8).



3. Insert the lever into the desired slot.

**5-Position Height Adjustment:**

- (1) 1.0 in. (25 mm)
- (2) 1.4 in. (35 mm)
- (3) 1.8 in. (45 mm)
- (4) 2.2 in. (55 mm)
- (5) 2.6 in. (65 mm)

4. Reconnect the power supply to the lawn mower and resume normal use.

**Starting + Stopping**

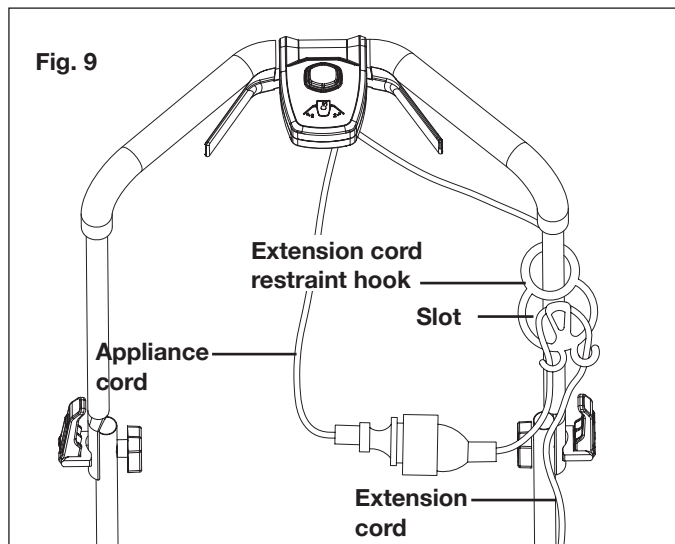
Do not switch on the lawn mower until it has been completely assembled. Before switching on the unit, always check the appliance cord and the extension cord for signs of damage. Use only intact cords.

**⚠ WARNING!** Damaged cords pose a severe risk of injury. Replace damaged cords immediately.

**⚠ WARNING!** Before switching on the lawn mower, make sure that it is not in contact with any foreign objects. Keep your hands and feet a safe distance away from the rotating mower blades and the ejector opening. Failure to comply with these warnings can result in severe personal injury.

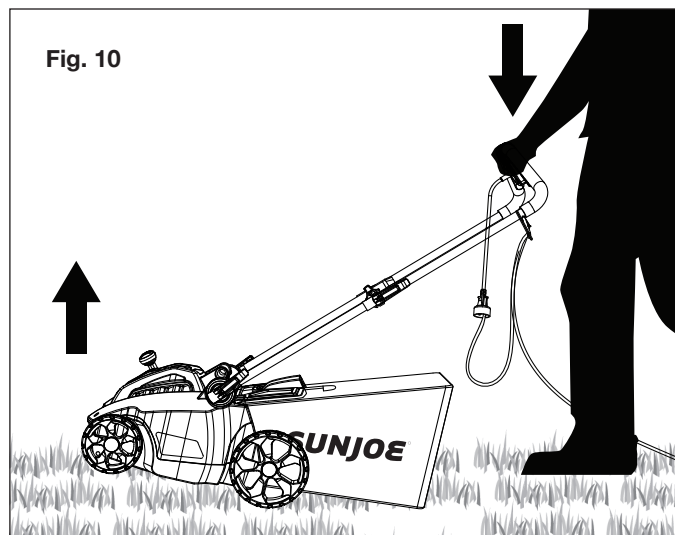
**IMPORTANT:** Do not start the lawn mower in tall grass.

1. Place the unit on a level lawn surface.
2. Push a loop of the extension cord through the slot on the extension cord restraint hook from the opposite side and around the cord restraint hook. Insert the appliance cord into the extension cord (Fig. 9).



**NOTE:** Do not plug the extension cord into the outlet until it had been secured with the extension cord restraint holder and connected to the lawn mower's appliance cord. Only use a UL-rated extension cord for outdoor, all-weather use. Do not use an extension cord over 100 ft (30 m). See Extension Cord Chart on page 2.

3. Place the bulk of the extension cord on the lawn closest to the starting point.
4. Before starting the lawn mower, hold the handle assembly with both hands and tilt the handle downward to slightly raise the front of the lawn mower. This will reduce the risk of lawn damage during start-up (Fig. 10).



5. To start the lawn mower, use one hand to press and hold the safety lock button while the other hand squeeze one of the switch levers. Once the machine powers on, release the safety lock button and squeeze the two switch levers with both of hands (Fig. 11).



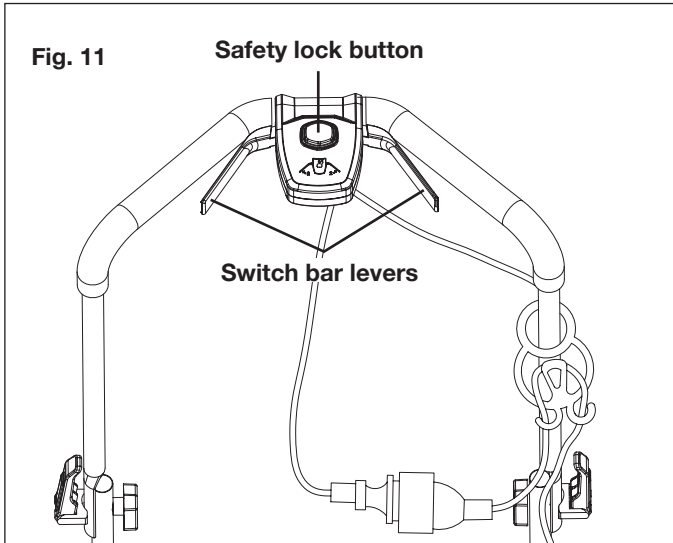


Fig. 11

6. Let the motor get up to speed, gently lowering the lawn mower down into the cutting position and start mowing (Fig. 12).

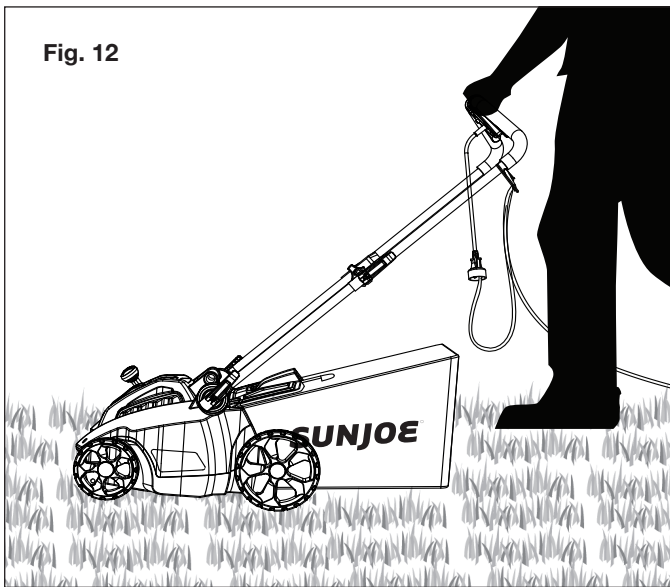


Fig. 12

7. To stop the lawn mower, release the switch levers (Fig. 11).

## Mowing Tips

**⚠️ WARNING!** Inspect the area prior to mowing and remove all the stones, sticks, wires, and other debris that might be thrown by the rotating blades.

**NOTE:** Sharp blades will greatly enhance the performance of the lawn mower, especially when cutting tall grass.

- Be sure to check the blades periodically for signs of wear and replace them at least once per year, as described in the maintenance section.
- In order to prevent electric shock, do not operate the lawn mower in damp or wet conditions.
- Do not mow in a circle. Travel back and forth across the lawn following the path outlined below (Fig. 13).

- When cutting thick grass, reduce your walking speed in order to allow for a more effective cut and a proper discharge of the clippings. For a healthy lawn, always cut off one-third or less from the total length of the grass. The average lawn should be approximately 1.5 to 2 in. (3.8 cm to 5 cm) long during cool months, and more than 2 in. (5 cm) long during hot months. If there is growth, the lawn should be cut in the fall.

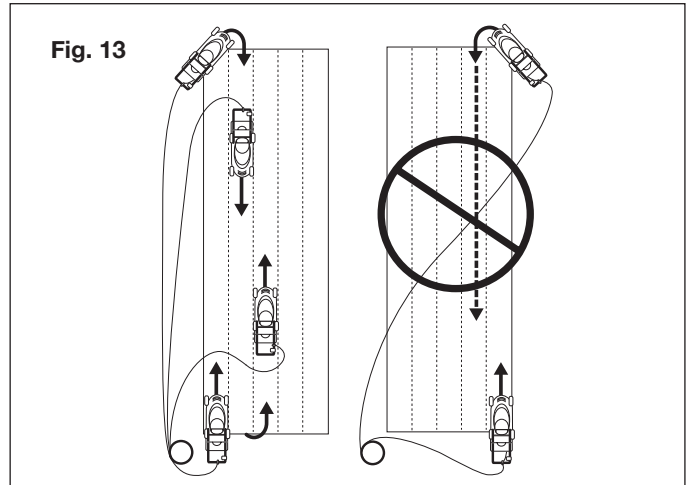


Fig. 13

- While mowing, make sure that the electric cable is always behind you and resting on the area of grass already cut.
- The lawn will look better if it is always cut to the same height and in alternate directions.
- When crossing any graveled area, release the switch levers to turn off the lawn mower. The stones can be picked up and thrown by the rotating blade.
- Set the lawn mower to the highest cutting height when mowing on uneven ground or in tall weeds.

**⚠️ WARNING!** If you strike a foreign object, stop the motor and disconnect the power cord. Thoroughly inspect the lawn mower for any damage. Repair any damage before operating the lawn mower.

## Maintenance

**⚠️ WARNING!** Before cleaning, repairing, or inspecting the lawn mower, disconnect the power supply to the unit and verify that all moving parts have come to a complete stop.

### General

- Always keep the lawn mower clean and free of grass, dirt, or other debris.
- Keep the handles dry, clean, and free of oil and grease.
- After each cutting session, remove accumulated grass clippings and debris using either a dry cloth or hand brush. You may also clean the equipment with a damp cloth. Do not use cleaning agents or harsh solvents as they may damage the equipment's plastic components. Make sure that no water penetrates the equipment's interior as intake of water can destroy the switch/plug mechanism and the electric motor.



- Do not clean the lawn mower with running water, particularly with high-pressure water.
- Check all nuts, bolts, and screws for proper tightness before each use.
- Frequently inspect the grass collection bag for signs of wear and replace immediately with a genuine Snow Joe® + Sun Joe® part if damage is found.
- Replace excessively worn or damaged parts immediately.

## Lubrication

All of the bearings in this product are lubricated with a sufficient amount of high grade lubricants for the life of the unit under normal operation conditions. Therefore, no further lubrication of the bearings is needed.

At the beginning and end of each mowing season, lubricate the springs on the rear discharger door with light oil.

## Blade Maintenance

**IMPORTANT:** The mower blades are sharp and can cause severe personal injury if handled incorrectly. Wear protective gloves, and use extra caution when handling.

The steel blades are designed to provide a fine cut in long or tough grass. Deterioration in the quality of cut indicates blade wear or damage.

**⚠️ WARNING!** Vibrating lawn mower indicates the blade rotor is not properly balanced or has become deformed from striking an object. In this case, please call the Snow Joe® + Sun Joe® customer service center for assistance at 1-866-SNOWJOE (1-866-766-9563).

## Blade Replacement

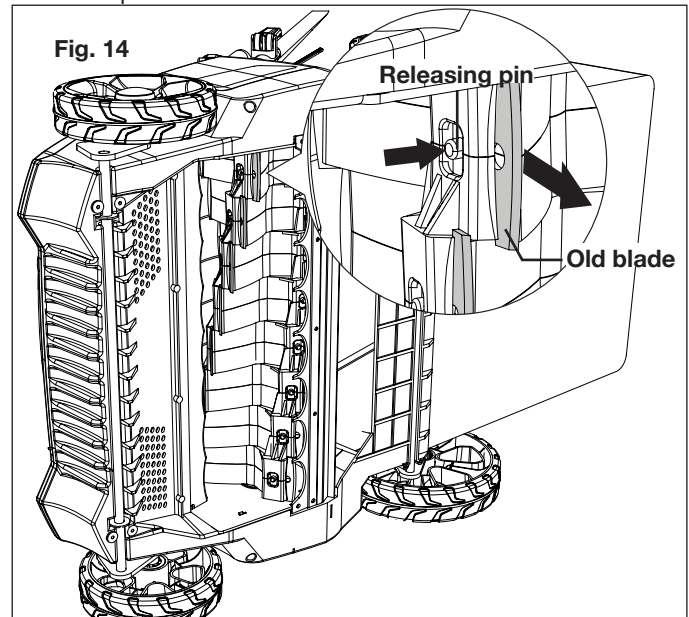
**⚠️ WARNING!** Wear heavy duty gloves when handling the blades.

**IMPORTANT:** Only use original replacement parts specified for this lawn mower.

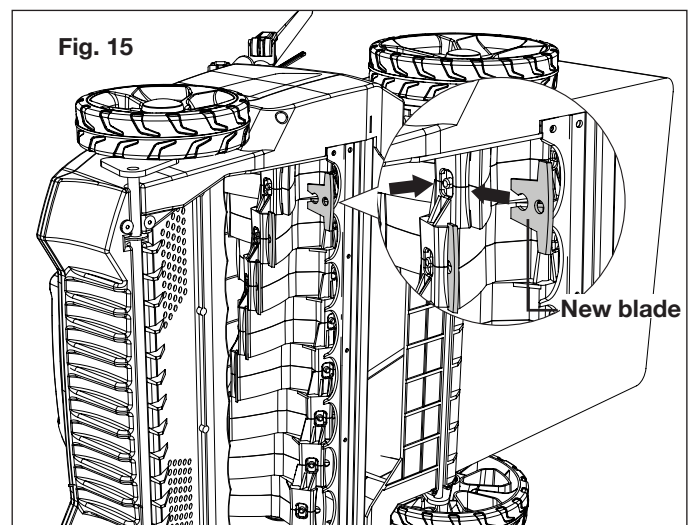
You can purchase a set of replacement blades (Model MJ506E-24BLDS) and other genuine replacement parts by ordering online at snowjoe.com or, to order by phone, contact Snow Joe® + Sun Joe® customer service at 1-866-SNOWJOE (1-866-766-9563). The use of parts that do not meet the original equipment specifications may lead to improper performance of the lawn mower, may compromise operator safety, and will void the manufacturer's warranty.

1. Disconnect the electrical supply to the lawn mower.
2. Turn the lawn mower on its side to expose the underside of the blades.
3. Wear heavy-duty gloves.
4. To remove the old blades, work on one piece at a time. Press down the releasing pin of the old blade. At the same

time pull the blade piece out of its slot (Fig. 14). Repeat for other pieces of old blade.



5. To fit the new blade, push the releasing pin, and at the same time, insert a new blade (1 piece) in the slot until the new blade piece clicks in securely (Fig. 15). Repeat for all other new blades.



**NOTE:** Make sure the releasing pin pops out and the new blade piece is locked properly before moving to other/additional blades.

# Storage

Follow the steps below to prepare the lawn mower for storage:

1. Disconnect the power supply to the lawn mower.
2. Clean the lawn mower with a damp cloth or hand brush.
3. Inspect the lawn mower carefully for worn, loose, or damaged parts. Check connections and screws and tighten if necessary. Pay special attention to the mower blades and replace/sharpen if they show signs of wear. Refer to the Maintenance section.
4. Store the lawn mower indoors in a dry, clean, and cool area out of the reach of children. Do not store the unit next to corrosive materials, such as fertilizer and rock salt.
5. Wipe the extension cord to remove any foreign substances, such as oil or stains. Replace the extension cord immediately if it is cut or damaged in any way.
6. Wind the cord in a series of equal loops to prevent it from tangling.
7. Do not cover the lawn mower with a solid plastic sheet. Plastic coverings trap moisture around the lawn mower, which can damage the unit.

# Service + Support

If your Sun Joe® MJ506E electric reel mower requires service or maintenance, please call the Snow Joe® + Sun Joe® customer service center at 1-866-SNOWJOE (1-866-766-9563) for assistance.

# Model + Serial Numbers

When contacting the company or reordering parts, you will need to provide the model and serial numbers of your product. These are found on the decal affixed to the housing or handle of your lawn mower. Copy these numbers into the space provided below.

<b>Record the following numbers from the housing or handle of your new product:</b>														
										Model #:				
M	J	5	0	6	E									
Serial #:														

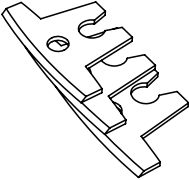
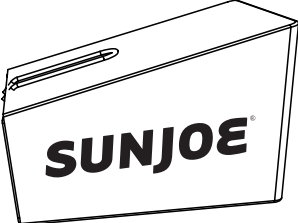
# Troubleshooting

Problem	Remedy
Motor does not run	<ul style="list-style-type: none"> <li>• Check mains, extension cord, and circuit-breaker (fuse).</li> <li>• Clean discharge channel/housing.</li> <li>• Start lawn mower on short grass or in a previously mowed area and tilt back.</li> <li>• Correct the cutting height.</li> </ul>
Motor power drops	<ul style="list-style-type: none"> <li>• Check that you are using a suitable extension cord of proper gauge and length (see Extension Cord Chart pg. 2).</li> <li>• Power source (e.g. generator) has too low voltage.</li> </ul>
Motor performance drops	<ul style="list-style-type: none"> <li>• Correct the cutting height.</li> <li>• Clean discharge channel/housing.</li> <li>• Replace or sharpen mowing blades (contact an authorized Snow Joe® + Sun Joe® service center).</li> </ul>
Grass collection bag not filling sufficiently	<ul style="list-style-type: none"> <li>• Correct the cutting height.</li> <li>• Allow the lawn to dry.</li> <li>• Clean the discharge channel/housing.</li> </ul>

Only a company specialist may be able to correct faults that cannot be rectified with the aid of this table. Please call the Snow Joe® + Sun Joe® customer service center at 1-866-SNOWJOE (1-866-766-9563).

# Optional Accessories

**⚠️ WARNING!** ALWAYS use only authorized Snow Joe® + Sun Joe® replacement parts and accessories. NEVER use replacement parts or accessories that are not intended for use with this tool. Contact Snow Joe® + Sun Joe® if you are unsure whether it is safe to use a particular replacement part or accessory with your tool. The use of any other attachment or accessory can be dangerous and could cause injury or mechanical damage.

Accessories	Item	Model
<p>①</p> 	<p>24-pk replacement blades</p>	<p>MJ506E-24BLDS</p>
<p>②</p> 	<p>14.6 gal (55 L) grass collection bag</p>	<p>MJ506E-BAG</p>

**NOTE:** Accessories are subject to change without any obligation on the part of Snow Joe® + Sun Joe® to provide notice of such changes. Accessories can be ordered online at [sunjoe.com](http://sunjoe.com) or via phone by contacting the Snow Joe® + Sun Joe® customer service center at 1-866-SNOWJOE (1-866-766-9563).



## SNOW JOE® + SUN JOE® CUSTOMER PROMISE

**ABOVE ALL ELSE**, Snow Joe, LLC (“Snow Joe”) is dedicated to you, our customer. We strive to make your experience as pleasant as possible. Unfortunately, there are times when a Snow Joe®, Sun Joe®, or Aqua Joe® product (“Product”) does not work or breaks under normal operating conditions. We think it’s important that you know what you can expect from us. That’s why we have a Limited Warranty (“Warranty”) for our Products.

---

### **OUR WARRANTY:**

Snow Joe warrants new, genuine, powered and non-powered Products to be free from defects in material or workmanship when used for ordinary household use for a period of two years from the date of purchase by the original, end-user purchaser when purchased from Snow Joe or from one of Snow Joe’s authorized sellers with proof of purchase. Because Snow Joe is unable to control the quality of its Products sold by unauthorized sellers, unless otherwise prohibited by law, this Warranty does not cover Products purchased from unauthorized sellers. If your Product does not work or there’s an issue with a specific part that is covered by the terms of this Warranty, Snow Joe will elect to either (1) send you a free replacement part, (2) replace the Product with a new or comparable product at no charge, or (3) repair the Product. How cool is that!

**This Warranty gives you specific legal rights, and you may also have other rights which vary from State to State.**

### **PRODUCT REGISTRATION:**

Snow Joe strongly encourages you to register your Product. You can register online at [snowjoe.com/register](https://snowjoe.com/register), or by printing and mailing in a registration card available online from our website, or calling our Customer Service Department at **1-866-SNOWJOE (1-866-766-9563)**, or by e-mailing us at [help@snowjoe.com](mailto:help@snowjoe.com). Failure to register your Product will not diminish your warranty rights. However, registering your Product will allow Snow Joe to better serve you with any of your customer service needs.

### **WHO CAN SEEK LIMITED WARRANTY COVERAGE:**

This Warranty is extended by Snow Joe to the original purchaser and original owner of the Product.

### **WHAT IS NOT COVERED?**

This Warranty does not apply if the Product has been used commercially or for non-household or rental applications. This Warranty also does not apply if the Product was purchased from an unauthorized seller. This Warranty also does not cover cosmetic changes that do not affect performance. Wearing parts like belts, augers, chains and tines are not covered under this Warranty, and can be purchased at [snowjoe.com](https://snowjoe.com) or by calling **1-866-SNOWJOE (1-866-766-9563)**.



---

---

---

---

---

---

---

---

---

---

---

---

---

---

---

---

---

---

---

---

---

---

---

---





---

---

---

---

---

---

---

---

---

---

---

---

---

---

---

---

---

---

---

---

---

---

---

---

---





# CORTACÉSPED ELÉCTRICO DE CARRETE

40.6 CM | 6.5 A

SP

## MANUAL DEL OPERADOR

Una división de Snow Joe®, LLC

Modelo MJ506E

Forma N° SJ-MJ506E-880S-MR3

## ¡IMPORTANTE!

### Instrucciones de seguridad

### Todos los operadores deberán leer estas instrucciones antes del uso

Siga siempre estas normas de seguridad. No hacerlo podría resultar en lesiones corporales severas o incluso la muerte.

### ¡ADVERTENCIAS generales de seguridad!

Usted debe tomar precauciones básicas de seguridad siempre que use esta cortacésped eléctrico de carrete con el propósito de reducir riesgos de incendio, choque eléctrico y lesiones personales. Estas precauciones incluyen:

**⚠ ¡ADVERTENCIA!** No la opere sin toda la bolsa recolectora de césped u otro dispositivo protector en su lugar y funcionando apropiadamente.

**⚠ ¡ADVERTENCIA!** El uso de cualquier otro accesorio o acoplamiento podría aumentar el riesgo de lesiones.

**⚠ ¡ADVERTENCIA!** Para reducir el riesgo de lesiones, inspeccione frecuentemente la bolsa recolectora de césped y reemplácela con las partes recomendadas si es que presenta signos de desgaste o deterioro.

Antes de usar la podadora de césped, tómese el tiempo para familiarizarse con los controles, sobre todo con la forma de detener la podadora de césped en caso de emergencia. Las únicas personas que deben usar la podadora de césped son aquellas que tengan un entendimiento completo de las instrucciones y sepan cómo operar la máquina. Los niños nunca deben tener acceso a la podadora de césped.

Conserve este manual para futuras referencias, y vuélvalo a leer al inicio de cada temporada de podado.

### PARA PODADORAS DE CÉSPED CON DOBLE AISLAMIENTO

- 1. Partes de repuesto:** al repararla, utilice solamente partes de repuesto idénticas. Reemplace o repare los cables dañados inmediatamente.
- 2. Enchufe polarizado:** las conexiones polarizadas de artefactos reducen el riesgo de un choque eléctrico. Esta

podadora de césped tiene un enchufe polarizado (una pata es más ancha que la otra) y requerirá el uso de un cable de extensión polarizado. Solo hay una forma de que el enchufe de la podadora de césped encaje en el receptáculo de un cable de extensión polarizado. Si el enchufe no entra por completo dentro del receptáculo del cable de extensión, invierta las clavijas del enchufe. Si el enchufe aún no encaja dentro del receptáculo del cable de extensión, obtenga un cable de extensión polarizado adecuado. Un cable de extensión polarizado requerirá el uso de un tomacorriente polarizado de pared. Solo hay una forma en la que el enchufe encajará en un tomacorriente polarizado de pared. Si el enchufe no entra por completo dentro del tomacorriente de la pared, invierta las clavijas del enchufe. Si el enchufe aún no encaja en el tomacorriente, contacte a un electricista calificado para la instalación de un tomacorriente de pared apropiado. No modifique en ninguna forma el enchufe del equipo, el conector hembra (receptáculo) del cable de extensión, ni el enchufe del cable de extensión.

**⚠ ¡ADVERTENCIA!** El contacto con las partes móviles puede causar enredos, pérdida de miembros, u otras lesiones corporales severas. Mantenga siempre las partes del cuerpo (p. ej., manos y pies) a una distancia segura de las partes móviles de la máquina. Asegúrese de que todos los protectores y cubiertas estén colocados de forma correcta y segura antes del uso.

Las superficies calientes (por ejemplo la del motor) pueden encender objetos inflamables o combustibles y causar un incendio o explosión que cause lesiones corporales severas. Mantenga la podadora de césped a una distancia segura lejos de objetos inflamables o combustibles hasta que las superficies que estén calientes se hayan enfriado por completo. No almacene la podadora de césped cerca de objetos inflamables o combustibles.

Las cuchillas dañadas, o la tuerca de cuchilla gastada, pueden desprenderse del ensamblado de la podadora de césped y causar lesiones personales severas. Reemplace las cuchillas dañadas o tuerca gastada antes de usar la podadora de césped.

### PARA TODAS LAS PODADORAS DE CÉSPED

- 1. Evite entornos peligrosos:** no use la podadora de césped bajo la lluvia, ni cuando el césped esté húmedo o mojado.

2. **Mantenga alejados a los niños, espectadores y mascotas:** mantenga siempre a los niños, espectadores y mascotas a una distancia segura de la podadora de césped mientras esté funcionando y mientras se enfríe.
3. **Vístase apropiadamente:** Al usar esta cortacésped eléctrico de carrito, utilice siempre equipos de protección personal (por ejemplo gafas, guantes de hule, calzado protector y máscara antipolvo) y una vestimenta adecuada. Las vestimentas holgadas, el pelo largo o la joyería pueden engancharse en las partes móviles. Utilice una cubierta protectora para contener cabellos largos.
4. **Use el artefacto correcto:** no use la podadora de césped para cualquier otra aplicación que no sea una de aquellas para las cuales fue diseñada.
5. **No fuerce la podadora de césped:** tendrá un mejor funcionamiento con menos probabilidades de lesiones personales o fallas mecánicas si es usada a la velocidad para la cual fue diseñada.
6. **No se extralimite:** mantenga con sus pies un balance y posición adecuados durante todo el tiempo.
7. **Manténgase alerta:** manténgase siempre alerta y vea lo que está haciendo. Utilice su sentido común. No opere la podadora de césped si usted está cansado o bajo la influencia del alcohol u otras drogas. Esta podadora no está diseñada para ser usada por personas (incluyendo niños) con capacidades físicas, sensoriales o mentales limitadas. Tampoco debe ser usada por aquellos que no tengan la experiencia y/o conocimientos apropiados para usarla, a menos que estén supervisados por una persona responsable por su seguridad, o hayan recibido instrucciones de dicha persona sobre cómo usar la podadora.
8. **Desconecte la podadora de césped:** desconecte la podadora de césped de la fuente de alimentación cuando no esté siendo usada, antes de repararla, al cambiar accesorios y al realizar cualquier otra tarea de mantenimiento.
9. **Guarde la podadora de césped inactiva bajo techo:** cuando no esté siendo usada, la podadora de césped debe guardarse bajo techo y en un lugar seco, bajo llave y fuera del alcance de los niños.
10. **Cuide su podadora de césped:** mantenga las cuchillas afiladas y limpias para un mejor y más seguro funcionamiento.

Inspeccione el cable de alimentación de la podadora de césped periódicamente, y si está dañado hágalo reparar en un centro de servicio autorizado. Los cables de extensión también tienen que ser inspeccionados de forma periódica y reemplazados inmediatamente si están dañados. Mantenga las manos secas, limpias y sin aceite o grasa.

## Seguridad eléctrica

1. Un interruptor de circuito de falla de conexión a tierra (GFCI) deberá proteger al(a los) circuito(s) o tomacorriente(s) a ser utilizado(s) para la podadora de césped. Hay receptáculos disponibles con protección incorporada GFCI y pueden ser utilizados para esta medida de seguridad.
2. Para reducir el riesgo de un choque eléctrico, este artefacto posee un enchufe polarizado (es decir, una pata es más ancha que la otra). Use este artefacto solo con un cable de extensión de enchufe polarizado, aprobado por UL (certificado por CSA en Canadá) y recomendado para uso en exteriores. El enchufe del artefacto encajará en el receptáculo del cable de extensión polarizado de una sola manera.

Si el enchufe del artefacto no entra por completo dentro del receptáculo del cable de extensión, invierta las clavijas del enchufe. Si el enchufe aún no encaja dentro del receptáculo del cable de extensión, obtenga un cable de extensión polarizado correcto. Un cable de extensión polarizado requerirá el uso de un tomacorriente polarizado de pared. El enchufe del cable de extensión encajará en el tomacorriente polarizado de la pared de una sola manera. Si el enchufe no entra por completo dentro del tomacorriente de la pared, invierta las clavijas del enchufe. Si el enchufe aún no encaja en el tomacorriente, contacte a un electricista calificado para la instalación de un tomacorriente de pared apropiado. No modifique el enchufe del artefacto, ni el receptáculo del cable de extensión, ni el enchufe del cable de extensión en ninguna forma.

3. Para evitar un choque eléctrico, opere esta cortacésped eléctrico de carrito solo con un cable de extensión adecuado para uso en exteriores, tal como SW, SOW, STW, STOW, SJTW o SJTOW.

Antes del uso, verifique que el cable de extensión esté en buenas condiciones. Asegúrese de usar un cable de extensión lo suficientemente fuerte para poder transportar toda la electricidad que su equipo consumirá. Un cable de extensión demasiado fino causará una caída de tensión de alimentación produciendo pérdida de potencia y recalentamiento.



## ¡ADVERTENCIA!



**Un choque eléctrico puede causar LESIONES PERSONALES SEVERAS o LA MUERTE. Tenga en cuenta estas advertencias:**

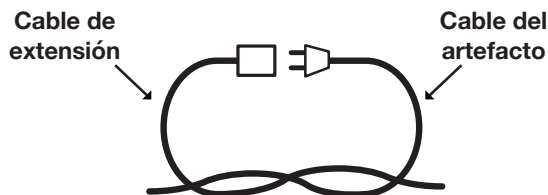
- No deje que ninguna parte de la podadora de césped haga contacto con agua mientras esté funcionando. Si la máquina se moja mientras está apagada, séquela antes de encenderla.
- Use solo un cable de extensión aprobado por UL, CSA o ETL para uso en exteriores y todo tipo de clima.
- No use un cable de extensión de más de 100 pies (30 m).
- No toque el artefacto, ni su enchufe, con las manos mojadas ni mientras esté parado sobre agua. Usar botas de hule le dará algo de protección.

**TABLA DE CABLES DE EXTENSIÓN**

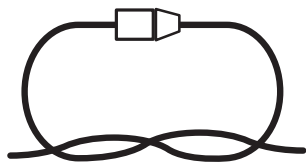
Longitud de cable de extensión	Hasta 50 pies (15 m)	+50 pies a 100 pies (+15 m a 30 m)
Calibre de alambre mínimo (AWG):	16	14

4. Para evitar que el cable del artefacto se desconecte del cable de extensión al usarlo, haga un nudo con los dos cables tal como se muestra en el gráfico 1.

**Gráfico 1. Método para asegurar el cable de extensión**



**(A) Ate el cable como se indica**



**(B) Conecte el enchufe y el receptáculo**

5. No maltrate el cable. Nunca jale la podadora de césped por su cable ni tire de este para desconectarla del enchufe. Mantenga el cable alejado del calor, aceite y bordes afilados.

## Artefactos de doble aislamiento

En un artefacto de doble aislamiento se proporcionan dos sistemas de aislamiento en lugar de una conexión a tierra. Un artefacto de doble aislamiento no posee conexión a tierra, y no debe agregársele ninguna. La reparación de un artefacto de doble aislamiento requiere sumo cuidado y conocimiento del sistema, y solo debe ser realizada por personal técnico calificado en un centro de servicio autorizado por Snow Joe® + Sun Joe®. Las partes de repuesto de un artefacto de doble aislamiento deben ser idénticas a las partes originales. Un artefacto de doble aislamiento está marcado con las frases “Double Insulation” (“doblemente aislado”) o “Double Insulated” (“doble aislamiento”). El símbolo □ (un cuadrado dentro de otro) puede también estar marcado en el artefacto.



**DOBLE AISLAMIENTO: NO SE REQUIERE CONEXIÓN A TIERRA. AL REPARAR, USE SOLO PARTES DE REPUESTO IDÉNTICAS.**

Esta cortacésped eléctrico de carrito tiene doble aislamiento y no necesita un sistema separado de conexión a tierra. Use solo partes de repuesto idénticas. Lea las instrucciones antes de reparar artefactos de doble aislamiento. Use esta podadora de césped únicamente como se describe en este manual.

## ¡IMPORTANTE!

### Instrucciones de seguridad para podadoras de rodadura

#### Operación general

- Lea, entienda y obedezca todas las instrucciones en la máquina y en el(los) manual(es) antes de empezar.
- No ponga sus manos o pies cerca o debajo de la máquina. Manténgase siempre alejado de la abertura de descarga.
- Mantenga los protectores en su lugar y funcionando apropiadamente.
- Solo adultos responsables familiarizados con las instrucciones deberán estar autorizados a operar esta máquina.
- Retire del área a podar objetos extraños como rocas, alambres, juguetes y otros objetos que pueden ser recogidos y arrojados por las cuchillas. Manténgase detrás del mango cuando el motor esté funcionando.
- Asegúrese de que el área a podar esté libre de transeúntes antes de encender la máquina. Detenga la máquina si alguien entra al área.

- No opere la máquina descalzo o usando sandalias. Use siempre calzado protector.
- Siempre mire hacia abajo y hacia atrás antes y durante el movimiento en reversa de la podadora de césped.
- Nunca arroje material directamente hacia nadie. Evite arrojar material contra paredes u otras obstrucciones.
- Nunca deje sin atender una máquina encendida.
- Apague el motor y espere a que las cuchillas se hayan detenido por completo antes de limpiar la máquina, retirar la bolsa recolectora de césped, cambiar accesorios o desatascar el protector contra descargas.
- Opere la máquina solo bajo luz diurna o luz artificial apropiada.
- No opere la máquina si usted está cansado o bajo la influencia de drogas o alcohol.
- Nunca opere la podadora de césped sobre césped mojado. Siempre esté atento a dónde esté pisando. Camine, nunca corra con la podadora de césped.
- Si la máquina empieza a vibrar de manera anormal, detenga el motor, e inmediatamente inspeccione la máquina para determinar la causa. Las vibraciones generalmente son señales de problemas.
- Mantenga las cuchillas afiladas.
- Mantenga las manos y los pies lejos del área de corte.
- Utilice siempre protección ocular al operar la máquina.
- Los objetos arrojados por la cuchilla de la podadora de césped pueden causar lesiones personales severas. Siempre se debe examinar cuidadosamente el área a podar y retirar todos los objetos antes de cada poda.
- Si la podadora de césped golpea un objeto extraño, siga estas instrucciones:
  - i) Detenga la podadora de césped soltando las palancas interruptoras de encendido/apagado;
  - ii) Desenchufe el cable de alimentación;
  - iii) Inspeccione la unidad en busca de daños; y
  - iv) Repare cualquier daño antes de volver a encender la podadora.
- Use solo cuchillas de repuesto idénticas.

## Trabajo en pendientes

Las pendientes son importantes causas de resbalos y caídas, los cuales pueden resultar en lesiones personales severas. La operación en todas las pendientes requiere mucho cuidado. Si no se siente seguro en una pendiente, no la pade.

- Pade el césped de forma lateral en la pendiente. Nunca pade pendientes siguiendo una ruta transversal de arriba a abajo. Tenga mucho cuidado al cambiar de dirección en una pendiente.
- Esté atento a hoyos, surcos, baches, rocas u otros objetos ocultos. Estos pueden causar un inesperado resbalón o caída.
- No pade sobre césped mojado o pendientes demasiado

inclinadas. Una mala postura puede causar un resbaló o caída.

- No pade cerca de laderas, zanjas o terraplenes. Usted puede perder su postura o equilibrio.

## Niños

Pueden ocurrir accidentes trágicos si el operador no está alerta de la presencia de niños. Los niños son generalmente atraídos a la máquina y a la actividad de podado. Nunca asuma que los niños permanecerán en donde usted los vio por última vez.

- Mantenga a los niños lejos del área de poda y bajo la estricta vigilancia de un adulto responsable que no sea el operador.
- Esté siempre alerta y apague la podadora de césped si un niño entra al área.
- Nunca deje que los niños operen la máquina.
- Tenga especial cuidado al acercarse a esquinas ciegas, arbustos, árboles u otros objetos que puedan obstaculizar la visualización de un niño.

















## Servicio

- Mantenga ajustados todos los pernos y tuercas.
- Nunca manipule los dispositivos de seguridad. Inspecciónelos regularmente para asegurarse de que estén en su lugar y funcionando apropiadamente.
- Mantenga la podadora de césped libre de recortes de césped, hojas y otra acumulación de residuos.
- Nunca efectúe ningún ajuste o reparación con el motor encendido. Desenchufe siempre la podadora de césped antes de ajustarla, limpiarla o repararla.
- Verifique frecuentemente los componentes de la bolsa recolectora de césped y del protector contra descargas, y reemplácelos con repuestos recomendados por el fabricante cuando sea necesario.
- Las cuchillas de la podadora de césped están afiladas. Envuelva la cuchilla o use guantes. Tenga especial cuidado al reparar las cuchillas.
- Conserve o reemplace las etiquetas de seguridad y de instrucción, de ser necesario.



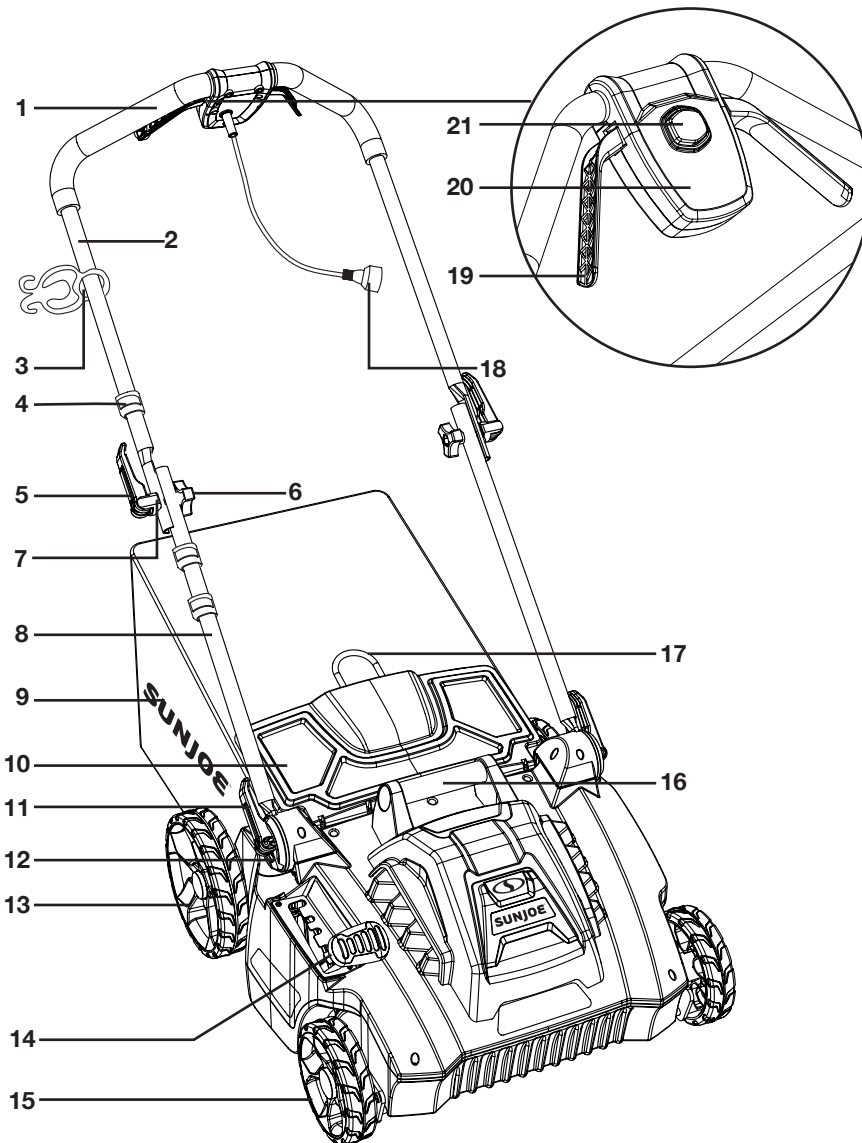
# Símbolos de seguridad

La siguiente tabla muestra y describe los símbolos de seguridad que pueden aparecer en este producto. Lea, comprenda y siga todas las instrucciones relacionadas con esta máquina antes de intentar ensamblarla y operarla.

Símbolo	Descripción	Símbolo	Descripción
	Etiqueta de peligro CPSC.		Mantenga a los transeúntes y niños alejados a una distancia segura.
	Alerta de seguridad. Precaución.		Para reducir el riesgo de lesiones, el usuario debe leer el manual de instrucciones.
	Use protección para sus ojos y oídos. Para evitar lesiones, use protectores para los oídos y gafas de seguridad.		No exponga la unidad a la lluvia.
	Desconecte el enchufe de corriente si el cable está dañado o enredado.		<b>¡ADVERTENCIA!</b> Apague la máquina y desconéctela de la fuente de alimentación antes de inspeccionarla, limpiarla, cambiarle accesorios o llevar a cabo cualquier otra tarea de mantenimiento en ésta.
	Los objetos arrojados y las cuchillas giratorias pueden causar lesiones personales severas.		Peligro de resbalo en pendientes: tenga extremo cuidado al podar en pendientes para evitar resbalar y caer.
	Amputación de dedos de pies o manos por cuchillas giratorias de podadora de césped.		Mantenga el cable de extensión alejado de la cuchilla de corte.
	<b>¡PELIGRO!</b> Las cuchillas giratorias son extremadamente peligrosas. Mantenga las manos y pies alejados de las aberturas mientras la máquina esté funcionando.		Al retroceder con la podadora de césped, mire hacia atrás.
	Las cuchillas continúan girando luego de que la máquina se haya apagado.		Doble aislamiento.

# Conozca su cortacésped eléctrico de carrete

Lea detenidamente el manual del operador y las instrucciones de seguridad antes de operar esta cortacésped eléctrico de carrete. Compare la ilustración debajo con la podadora de césped para familiarizarse con las ubicaciones de los diversos controles y ajustes. Conserve este manual para futuras referencias.



1. Empuñadura suave
2. Estructura de mango superior
3. Gancho de sujeción para cable de extensión
4. Gancho para cable (x3)
5. Pestillos de mango superiores (x2)
6. Tuerca de mariposa superior (x2)
7. Arandelas del mango superior (2)
8. Barra inferior (x2)
9. Bolsa recolectora de césped
10. Compuerta eyectora
11. Pestillo de barra inferior (x2)
12. Base del mango inferior (2)
13. Rueda posterior (x2)
14. Palanca de ajuste de altura
15. Rueda frontal (x2)
16. Mango de carcasa
17. Mango de bolsa recolectora de césped
18. Cable del artefacto
19. Palanca interruptora de encendido/apagado (x2)
20. Caja de interruptor
21. Botón de trabado de seguridad

## Datos técnicos

Voltaje nominal .....	120 V ~ 60 Hz	Altura de corte.....	1.0 plg   1.4 plg   1.8 plg   2.2 plg   2.6 plg (25 mm   35 mm   45 mm   55 mm   65 mm)
Motor.....	6.5 A	Capacidad de bolsa recolectora .....	14.6 gal (55 L)
Velocidad sin carga .....	3,300 RPM	Peso Neto.....	31.7 lb (14.4 kg)
Rotor.....	24 cuchillas de acero afiladas		
Ancho de corte máx .....	16 plg (40.6 cm)		

# Desembalaje

## Contenido del paquete

- Cortacésped eléctrico de carrete
- Estructura del mango superior
- Barra inferior (x2)
- Bolsa recolectora de césped
- Pestillos del mango superior con pernos largos (2)
- Tuerca de mariposa superior (x2)
- Arandelas del mango superior (2)
- Pestillos del mango inferior con pernos cortos (2)
- Bases del mango inferior (2)
- Gancho de sujeción para cable de extensión
- Ganchos para cables (3)
- Manual y tarjeta de registro

1. Retire cuidadosamente la podadora de césped y compruebe que todos los artículos anteriores estén suministrados.
2. Inspeccione cuidadosamente el producto para asegurarse de que no haya ocurrido ningún daño o ruptura durante su transporte. Si alguna parte está dañada o extraviada, NO DEVUELVA la unidad a la tienda. Comuníquese con la central de servicio al cliente Snow Joe® + Sun Joe® llamando al 1-866-SNOWJOE (1-866-766-9563).

**NOTA:** no se deshaga de la caja de transporte ni del material de embalaje hasta que usted esté listo para usar su cortacésped eléctrico de carrete. El empaquetado está hecho de materiales reciclables. Deseche estos materiales en conformidad a los reglamentos locales.

**¡IMPORTANTE!** El artefacto y los materiales de embalaje no son juguetes. No permita que los niños jueguen con bolsas plásticas, láminas o partes pequeñas. ¡Estos objetos pueden ser tragados y representan un riesgo de asfixia!

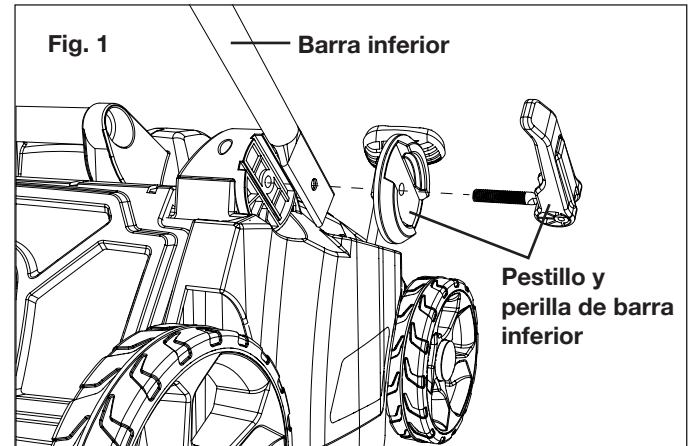
## Ensamblado

**⚠ ¡ADVERTENCIA!** No conecte la herramienta a la fuente de alimentación hasta que esté completamente ensamblada. No obedecer esta advertencia puede resultar en un encendido accidental que cause lesiones personales severas.

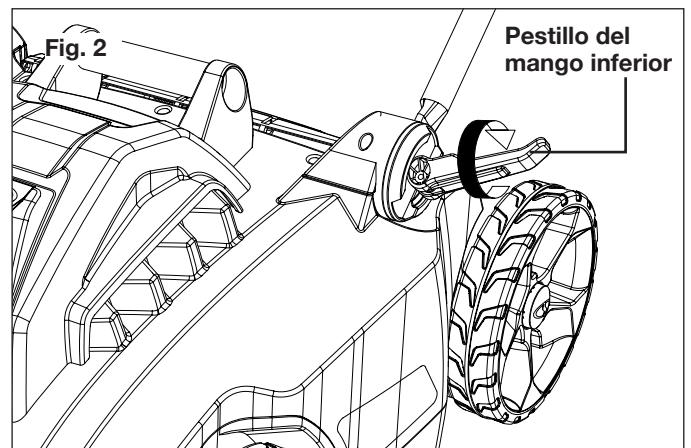
**⚠ ¡ADVERTENCIA!** Nunca opere la podadora sin los dispositivos apropiados instalados. Nunca opere la podadora con sus dispositivos de seguridad dañados. No seguir estas advertencias podría causar lesiones personales graves.

## Ensamblado de mango

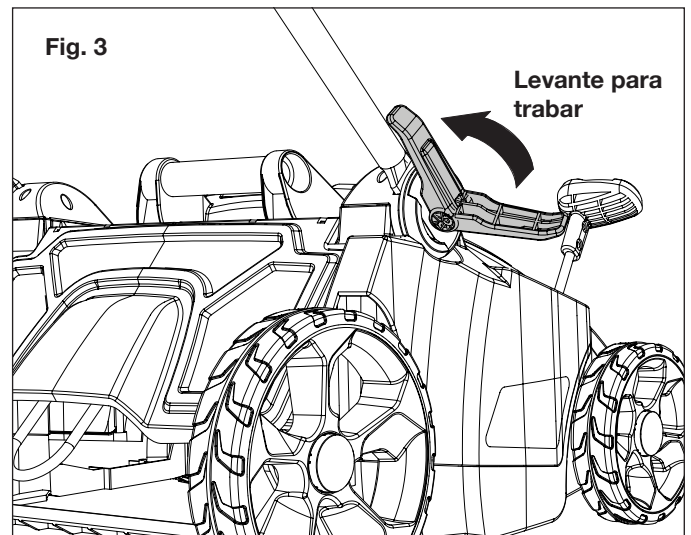
1. Instale la barra del mango inferior en el mismo lado que la palanca de ajuste de altura de la unidad. Asegúrela con un juego de base y pestillo del mango inferior con un perno corto (Fig. 1)



2. Gire el pestillo en sentido horario casi hasta el tope (Fig. 2).

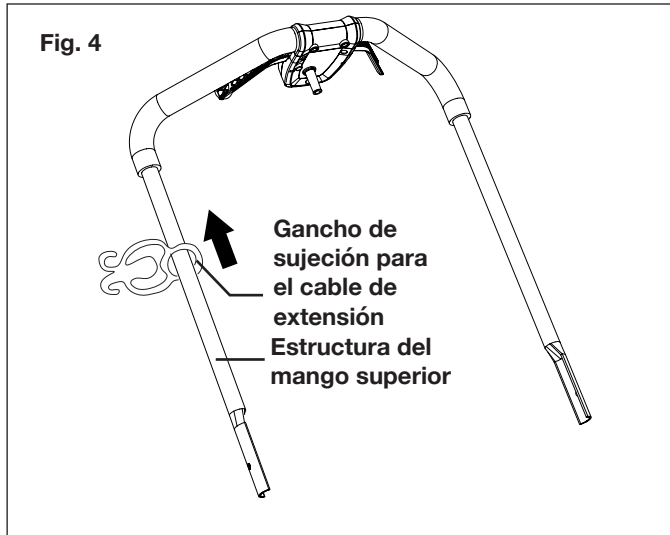


3. Alinee el pestillo con la muesca de la base del pestillo. Levante y presione firmemente para trabarlo (Fig. 3).

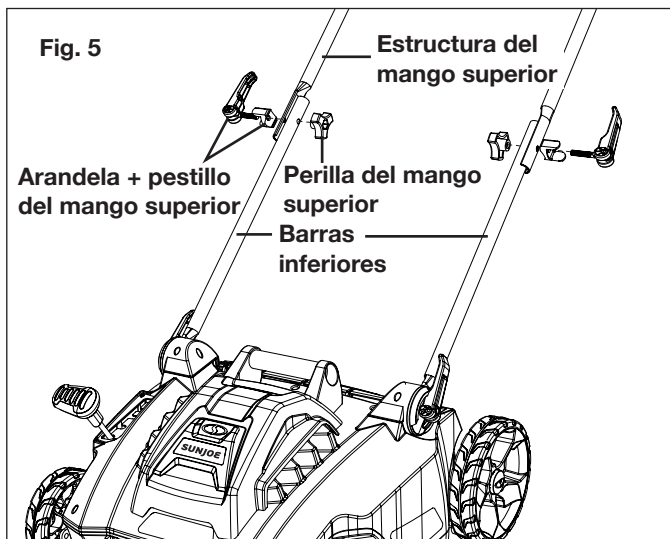


**NOTA :** Si es muy difícil levantar el pestillo, suéltelo 1 o 2 vueltas completas antes de intentarlo de nuevo.

4. Repita las instrucciones anteriores para ensamblar la barra inferior en el otro lado.
5. Deslice el gancho de sujeción del cable de extensión hacia la estructura del mango superior (Fig. 4).

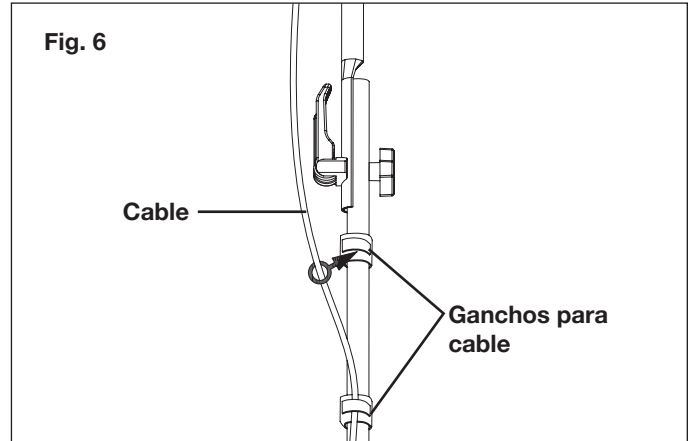


6. Instale la estructura del mango superior en los extremos de las barras del mango inferior y asegúrela con los pestillos del mango superior utilizando pernos largos, arandelas y perillas, como se observa en la figura. Apriete firmemente; luego levante el pestillo para trazarla (Fig. 5).



**NOTA :** Si es muy difícil levantar el pestillo, suéltelo 1 o 2 vueltas completas antes de intentarlo nuevamente.

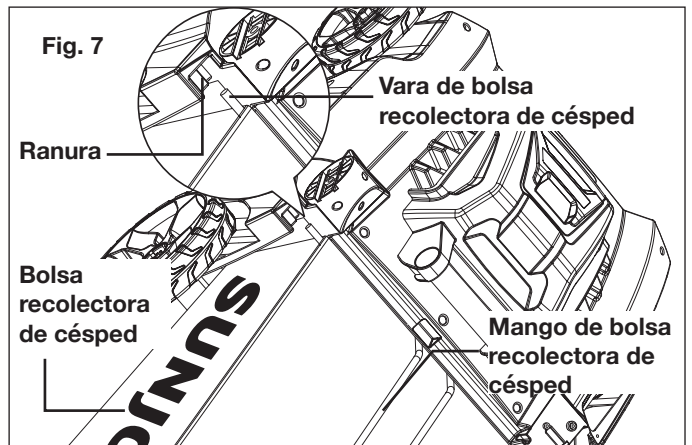
7. Enganche los ganchos para cables e inserte el cable en los ganchos para cables (Fig. 6)



## Ensamblado y colocación de la bolsa recolectora para césped

La bolsa recolectora para césped evita que los recortes de césped sean arrojados al engramado mientras usted poda.

1. Levante la compuerta de descarga con una mano. Con la otra mano, sostenga la bolsa recolectora de césped por su mango y engánchela desde arriba. Asegúrese de que las varas de la bolsa estén enganchadas en las ranuras de ambos lados (Fig. 7).



## Operación

Esta podadora de césped está diseñada para el corte de césped en jardines y patios pequeños. Esta podadora de césped no está ha sido diseñada para cortar césped de parques públicos, campos de juego, granjas o bosques. No use esta podadora para ninguna aplicación que no sea una de las aplicaciones para la que ha sido diseñada.

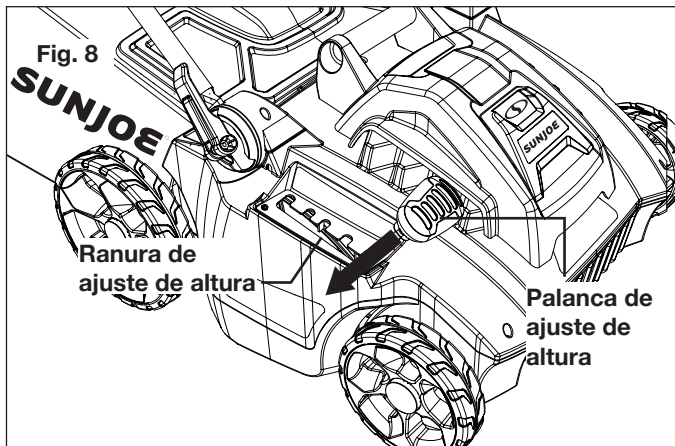
## Ajuste de la altura de corte

Esta cortacésped eléctrico de carrito está equipada con una palanca de ajuste de altura de cinco posiciones para ajustar las alturas de corte de césped desde 1.0 plg hasta 2.6 plg. Para cambiar la altura de corte de césped, siga las instrucciones a continuación.

**⚠ ¡ADVERTENCIA!** Antes de realizar estos ajustes, desconecte la podadora de césped de la fuente de alimentación y espere hasta que las cuchillas giratorias se hayan detenido por completo.

**OBEDEZCA SIEMPRE TODAS LAS PRECAUCIONES Y RECOMENDACIONES DE SEGURIDAD MENCIONADAS PREVIAMENTE EN ESTE MANUAL.**

1. Apague y desconecte la podadora de césped.
2. Saque la palanca de ajuste de altura fuera de su ranura original (Fig. 8).



3. Inserte la palanca en la ranura deseada.

**Ajuste de altura de cinco posiciones:**

- (1) 1.0 plg (25 mm)
  - (2) 1.4 plg (35 mm)
  - (3) 1.8 plg (45 mm)
  - (4) 2.2 plg (55 mm)
  - (6) 2.6 plg (65 mm)
4. Vuelva a conectar la podadora de césped a su fuente de alimentación y reanude la operación normal.

## Arranque y parada

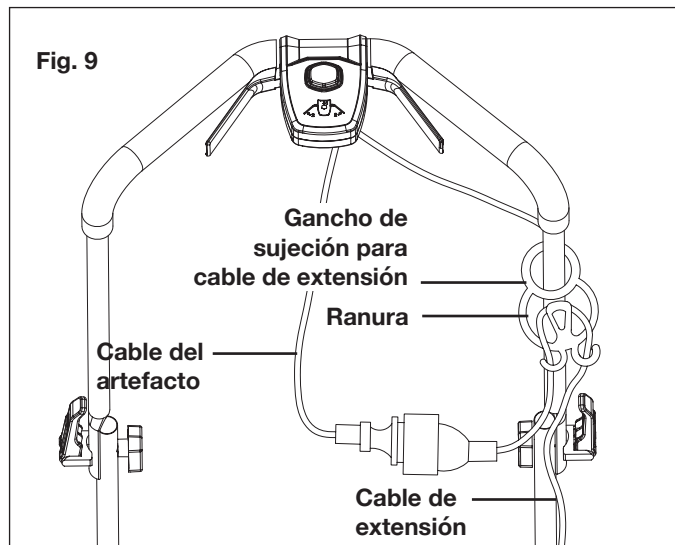
No encienda la podadora de césped hasta que haya sido ensamblada por completo. Antes de arrancar la podadora, verifique siempre que su cable de alimentación y cable de extensión no muestren señales de daños. Use solo cables intactos.

**⚠ ¡ADVERTENCIA!** Los cables dañados representan un riesgo severo de lesiones. Reemplace los cables de extensión dañados inmediatamente.

**⚠ ¡ADVERTENCIA!** Antes de encender la podadora de césped, asegúrese de que no esté en contacto con ningún objeto extraño. Mantenga sus manos y pies a una distancia segura de las cuchillas podadoras giratorias y de la abertura del eyector. No obedecer estas advertencias podría causar lesiones personales severas.

**IMPORTANTE:** no encienda la podadora de césped sobre césped alto.

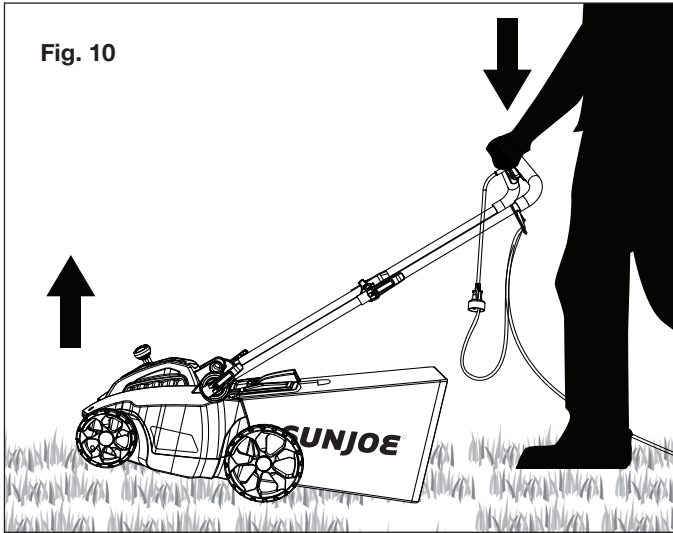
1. Coloque la unidad en una superficie de césped nivelada.
2. Empuje un bucle del cable de extensión a través de la ranura del gancho de sujeción para cable de extensión, desde el lado opuesto y alrededor de dicho gancho. Conecte el cable del artefacto al cable de extensión (Fig. 9).



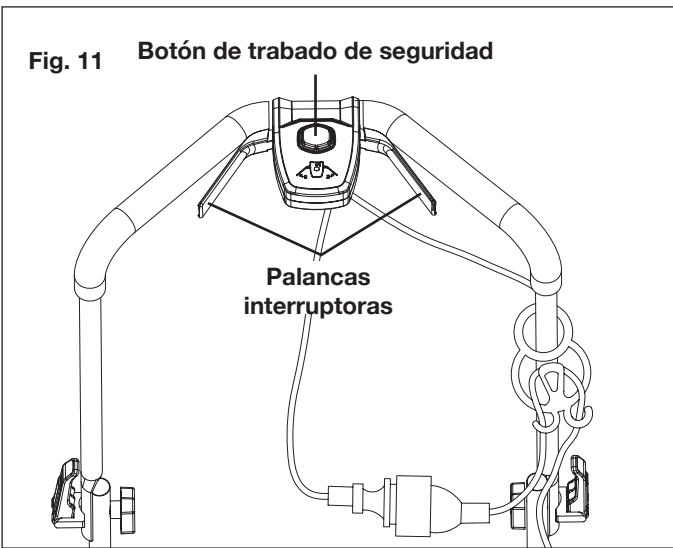
**NOTA:** no enchufe el cable de extensión al tomacorriente hasta que haya sido asegurado con el gancho de sujeción para cable de extensión y conectado al cable de artefacto de la podadora de césped. Use solo un cable de extensión aprobado por UL para uso en exteriores y todo tipo de clima. No use un cable de extensión de más de 100 pies (30 m). Consulte la tabla de cables de extensión en la página 2.

3. Coloque la porción mayor del cable de extensión sobre el césped, cerca al punto de inicio.
4. Antes de encender la podadora de césped, sujete el ensamblado del mango con ambas manos e incline el mango hacia abajo para levantar levemente el frente de la podadora de césped. Esto reducirá el riesgo de un daño al césped al momento del encendido (Fig. 10).

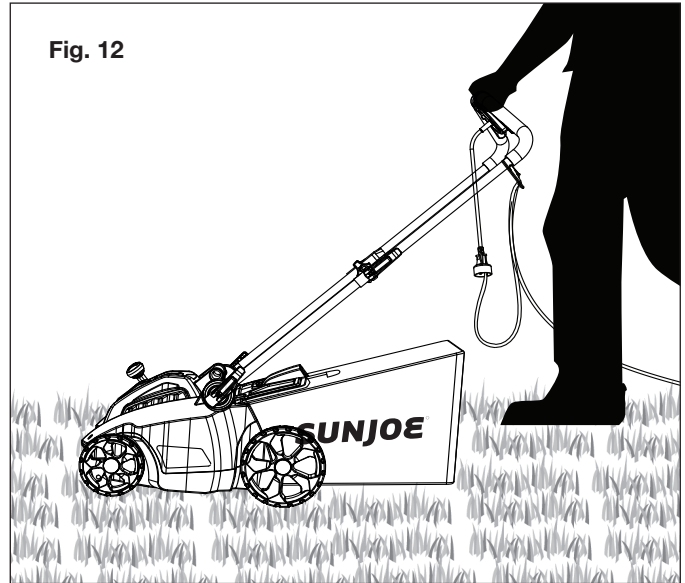




5. Para encender la podadora de césped, presione y sujete el botón de trabado de seguridad mientras aprieta las palancas interruptoras. Una vez que la máquina se encienda, suelte el botón de trabado de seguridad (Fig. 11).



6. Permita que el motor alcance su velocidad normal, baje cuidadosamente la podadora de césped a la posición de corte y empiece a podar (Fig. 12).



7. Para detener la podadora de césped, suelte las palancas interruptoras (Fig. 11).

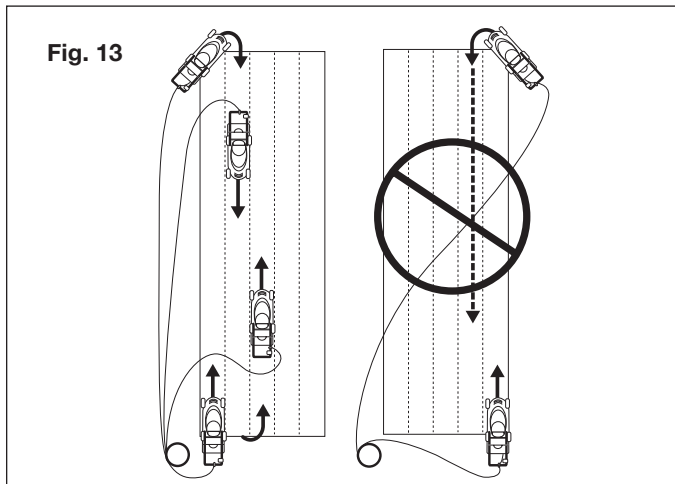
## Consejos para la poda

**⚠ ¡ADVERTENCIA!** Inspeccione el área antes del podado y retire todas las piedras, palos, alambres y otros escombros que puedan ser lanzados por las cuchillas giratorias.

**NOTA:** las cuchillas afiladas mejorarán de manera significativa el rendimiento de esta podadora de césped, especialmente al cortar césped alto.

- Asegúrese de inspeccionar periódicamente las cuchillas para ver si hay señales de desgaste, y reemplácelas al menos una vez por año, tal como se describe en la sección de mantenimiento.
- Para evitar un choque eléctrico, no opere la podadora de césped en áreas mojadas o húmedas.
- No pade en círculos. Desplácese en ida y vuelta a través del césped siguiendo la trayectoria descrita a continuación (Fig. 13).
- Al cortar césped grueso, reduzca su velocidad de caminata para permitir un corte más efectivo y una descarga apropiada del césped cortado. Para un césped saludable, corte siempre un tercio o menos de la longitud total del césped. El césped deberá tener en promedio un largo de 1.5 plg a 2 plg (3.8 cm a 5 cm) durante los meses fríos, y más de 2 plg (5 cm) durante los meses calurosos. Si hay crecimiento, el césped deberá ser cortado en el otoño.





- Al podar, asegúrese de que el cable eléctrico esté siempre detrás de usted y yaciendo sobre el área de césped ya cortado.
- El césped se verá mejor si es siempre cortado a la misma altura y en direcciones alternas.
- Al cruzar cualquier área con grava, suelte la palanca interruptora para apagar la podadora de césped. Las piedras pueden ser recogidas y lanzadas por la cuchilla giratoria.
- Ajuste la podadora de césped a la más alta altura de corte al podar en terreno disparejo o con maleza.

**⚠ ¡ADVERTENCIA!** Si la podadora de césped golpea un objeto extraño, detenga el motor y desenchufe el cable de alimentación. Inspeccione detenidamente la podadora de césped para ver que no haya daño alguno. Repare cualquier daño antes de continuar operando esta podadora de césped.

## Mantenimiento

**⚠ ¡ADVERTENCIA!** Antes de la limpieza, reparación o inspección de la podadora de césped, desconecte la fuente de alimentación de la unidad y verifique que todas las partes móviles se hayan detenido por completo.

### General

- Mantenga siempre la podadora de césped limpia y libre de recortes de césped, tierra u otros residuos.
- Mantenga los mangos secos, limpios y sin aceite o grasa.
- Luego de cada sesión de podado, retire los recortes de césped y residuos acumulados usando un paño seco o cepillo de mano. Usted también puede limpiar el equipo con un paño húmedo. No use agentes de limpieza o solventes agresivos ya que pueden dañar los componentes plásticos en el equipo. Asegúrese de que no entre agua al interior del equipo, ya que el agua puede destruir el mecanismo interruptor y de conexión, así como el motor eléctrico.

- No limpie la podadora de césped con agua corriente, particularmente con agua a alta presión.
- Compruebe que todas las tuercas, pernos y tornillos estén ajustados apropiadamente antes de cada uso.
- Inspeccione frecuentemente el ensamblado de la bolsa de césped para ver si hay señales de desgaste, y reemplace inmediatamente con partes genuinas Snow Joe® + Sun Joe® si encuentra daños.
- Reemplace inmediatamente las partes gastadas en exceso o dañadas.

### Lubricación

Todos los rodamientos en este producto están lubricados con suficiente cantidad de lubricantes de alto grado para todo el ciclo de vida útil de la unidad bajo condiciones de operación normal. Por tanto, no se requiere una lubricación adicional de los rodamientos.

Al principio y fin de cada temporada de poda, lubrique los resortes en la compuerta de descarga trasera con aceite ligero.

### Mantenimiento de las cuchillas

**IMPORTANTE:** las cuchillas podadoras son afiladas y pueden causar severas lesiones personales si son manipuladas incorrectamente. Use guantes protectores y tenga extremo cuidado al manipularlas.

Las cuchillas de acero están diseñadas para proporcionar un corte fino en césped alto o grueso. El deterioro en la calidad de corte indica desgaste o daños en las cuchillas.

**⚠ ¡ADVERTENCIA!** Una podadora de césped que vibra indica que el rotor de cuchillas no está balanceado adecuadamente o se ha deformado debido al impacto con un objeto. Si esto ocurre, comuníquese con la central de servicio al cliente Snow Joe® + Sun Joe® llamando al 1-866-SNOWJOE (1-866-766-9563) para recibir asistencia.

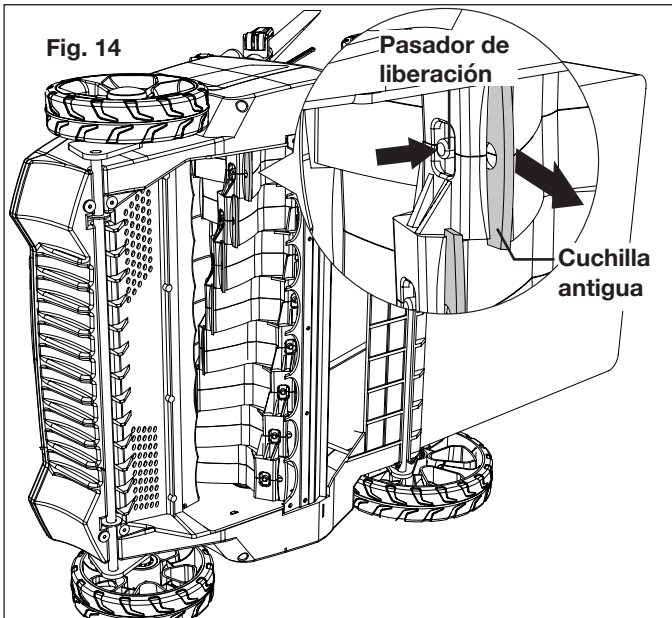
### Reemplazo de las cuchillas

**⚠ ¡ADVERTENCIA!** Use guantes de alta resistencia al manipular las cuchillas.

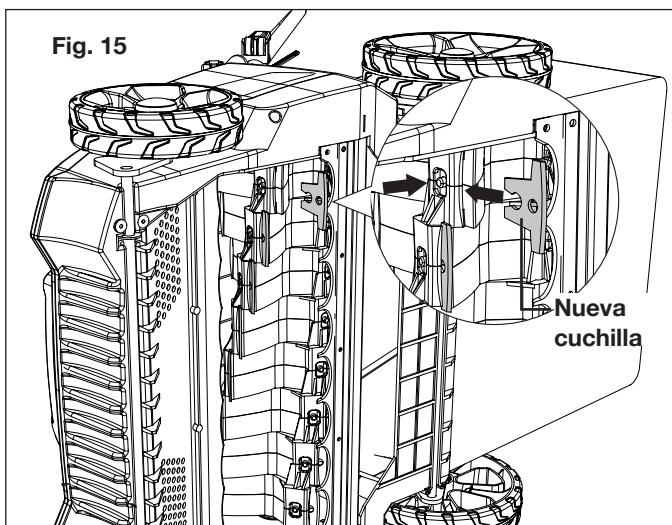
**IMPORTANTE:** use solo partes de repuesto originales especificadas para esta podadora de césped.

Usted puede comprar un juego de cuchillas de repuesto (modelo MJ506E-24BLDS) y otras partes de repuesto originales ordenando en línea en snowjoe.com o por teléfono llamando a la central de servicio al cliente Snow Joe® + Sun Joe® al 1-866-SNOWJOE (1-866-766-9563). El uso de partes que no cumplan con las especificaciones del equipo original puede provocar un funcionamiento incorrecto de la podadora de césped, comprometer la seguridad del operador, e invalidar la garantía del fabricante.

1. Desconecte la podadora de césped de la fuente de alimentación.
2. Voltee la podadora de césped sobre uno de sus lados para exponer el lado inferior donde se encuentran las cuchillas.
3. Use guantes de alta resistencia.
4. Para retirar las cuchillas antiguas, hágalo una por vez. Presione el pasador de liberación de la cuchilla antigua y, al mismo tiempo, saque la cuchilla fuera de su ranura (Fig. 14). Repita para las demás cuchillas antiguas.



5. Para colocar la nueva cuchilla, apriete el pasador de liberación y, al mismo tiempo, inserte una nueva cuchilla (una pieza) en la ranura hasta que la nueva pieza de cuchilla haga "clic" y se trabe de forma segura (Fig. 15). Repita para todas las demás nuevas cuchillas.



**NOTA:** asegúrese de que el pasador de liberación salte de golpe y que la nueva pieza de cuchilla se trabe de forma adecuada antes de proceder a reemplazar las siguientes cuchillas.

## Almacenamiento

Siga los pasos a continuación con el fin de preparar la podadora de césped para su almacenamiento:

1. Desconecte la podadora de césped de la fuente de alimentación.
2. Limpie la podadora de césped con un paño mojado o cepillo de mano.
3. Inspeccione la podadora de césped cuidadosamente para detectar partes gastadas, sueltas o dañadas. Verifique las conexiones y tornillos, y ajústelos de ser necesario. Preste especial atención a la cuchillas podadoras y reemplácelas o reafilelas si presentan señales de desgaste. Consulte la sección de mantenimiento.
4. Guarde la podadora de césped en interiores en un área seca, limpia y fría fuera del alcance de los niños. No guarde la unidad cerca de materiales corrosivos tales como fertilizantes y sal de roca.
5. Limpie el cable de extensión para quitar cualquier sustancia extraña como aceite o suciedad. Reemplace el cable de extensión inmediatamente si se corta o daña en cualquier forma.
6. Enrolle el cable en una serie de bucles iguales para evitar que se enrede.
7. No cubra la podadora de césped con una cubierta sólida de plástico. Las cubiertas de plástico atrapan humedad alrededor de la podadora, la cual puede corroerse.

## Servicio y soporte

Si su cortacésped eléctrico de carrito Sun Joe® MJ506E requiere servicio o mantenimiento, llame a la central de servicio Snow Joe® + Sun Joe® al 1-866-SNOWJOE (1-866-766-9563) para recibir asistencia.

## Modelo y número de serie

Al contactar a la empresa o al ordenar partes de repuesto, usted necesitará proveer el modelo y el número de serie de su producto. Estos se encuentran en la etiqueta pegada a la cubierta o guarda de su podadora de césped. Copie estos números en el espacio proporcionado a continuación.

Registre los siguientes números que se encuentran en la carcasa o mango de su nuevo producto:

Modelo: M | J | 5 | 0 | 6 | E | \_\_\_\_\_

Nº de serie: \_\_\_\_\_

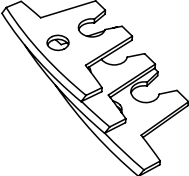
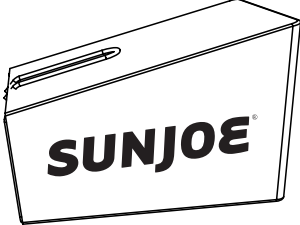
## Solución de problemas

Problema	Solución
El motor no funciona	<ul style="list-style-type: none"> <li>• Verifique la fuente de alimentación, el cable de conexión y el disyuntor (fusible).</li> <li>• Limpie el canal de descarga y la carcasa.</li> <li>• Arranque la podadora de césped en césped corto o en un área previamente podada e incline la podadora hacia atrás.</li> <li>• Corrija la altura de corte.</li> </ul>
La potencia del motor cae	<ul style="list-style-type: none"> <li>• Compruebe que está usando un cable de extensión adecuado de calibre y largo correctos (vea la tabla de cables de extensión en la página 2).</li> <li>• La fuente de alimentación (p. ej., el generador) tiene un voltaje demasiado bajo.</li> </ul>
El rendimiento del motor cae	<ul style="list-style-type: none"> <li>• Corrija la altura de corte.</li> <li>• Limpie el canal de descarga y la carcasa.</li> <li>• Reemplace o reafile las cuchillas podadoras (contacte a un centro de servicio autorizado Snow Joe®+ Sun Joe®).</li> </ul>
La bolsa recolectora de césped no se llena lo suficiente	<ul style="list-style-type: none"> <li>• Corrija la altura de corte.</li> <li>• Permita que el césped se seque.</li> <li>• Limpie el canal de descarga y la carcasa.</li> </ul>

Solo un especialista de la empresa puede ser capaz de corregir fallas que no puedan ser corregidas con la ayuda de esta tabla de solución de problemas. Comuníquese con la central de servicio al cliente Snow Joe® + Sun Joe® llamando al 1-866-SNOWJOE (1-866-766-9563).

## Accesorios opcionales

**⚠ ¡ADVERTENCIA!** USE SIEMPRE solo partes de repuesto y accesorios Snow Joe® + Sun Joe®. Nunca use partes de repuesto o accesorios que no estén destinados para su uso con esta cortacésped eléctrico de carrete. Comuníquese con Snow Joe®+ Sun Joe® si tiene dudas sobre si es seguro usar una parte de repuesto o accesorio en particular con su cortacésped eléctrico de carrete. El uso de cualquier otro accesorio o parte puede ser peligroso y causar lesiones personales o daños mecánicos.

Accesorio	Descripción	Modelo
<p>①</p> 	<p>Paquete de 24 cuchillas de repuesto</p>	<p>MJ506E-24BLDS</p>
<p>②</p> 	<p>Bolsa recolectora de césped de 14.6 gal (55 L)</p>	<p>MJ506E-BAG</p>

**NOTA:** los accesorios están sujetos a cambios sin obligación alguna por parte de Snow Joe® + Sun Joe® de notificar sobre dichos cambios. Los accesorios pueden ser pedidos en línea en [sunjoe.com](http://sunjoe.com) o vía telefónica llamando a la central de servicio al cliente Snow Joe® + Sun Joe® al 1-866-SNOWJOE (1-866-766-9563).



## LA PROMESA DE SNOW JOE® + SUN JOE® AL CLIENTE

**POR SOBRE TODO**, en Snow Joe, LLC (“Snow Joe”) estamos dedicados a usted, nuestro cliente. Nos esforzamos por hacer que su experiencia sea lo más placentera posible. Desafortunadamente, hay veces en que un producto Snow Joe®, Sun Joe®, o Aqua Joe® (el “Producto”) no funciona o sufre un desperfecto bajo condiciones normales de operación. Creemos que es importante que usted sepa que puede confiar en nosotros. Es por eso que tenemos esta Garantía Limitada (la “Garantía”) para nuestros Productos.

### NUESTRA GARANTÍA:

Snow Joe garantiza que sus Productos motorizados y no motorizados, nuevos y genuinos, están libres de defectos materiales o de mano de obra al ser usados en tareas domésticas normales durante un periodo de dos (2) años a partir de la fecha de compra por parte del comprador original y usuario final, cuando este último los compra a través de Snow Joe o un vendedor autorizado por Snow Joe y ha obtenido un comprobante de compra. Ya que Snow Joe no puede controlar la calidad de sus Productos vendidos por vendedores no autorizados, a menos que la ley lo prohíba esta Garantía no cubre Productos adquiridos a través de vendedores no autorizados. Si su Producto no funciona, o hay un problema con una parte específica que está cubierta por los términos de esta Garantía, Snow Joe elegirá entre: (1) enviarle una parte de repuesto gratuita; (2) reemplazar el Producto con uno nuevo o similar sin costo alguno; o (3) reparar el Producto. ¡Un excelente soporte!

**Esta Garantía le da derechos legales específicos, y usted puede también tener otros derechos según el Estado.**

### REGISTRO DEL PRODUCTO:

Snow Joe le recomienda enfáticamente registrar su Producto. Usted puede registrar su Producto en línea visitando [snowjoe.com/register](http://snowjoe.com/register), imprimiendo y enviando por correo una tarjeta de registro disponible en línea en nuestro sitio Web, llamando a nuestra central de servicio al cliente al **1-866-SNOWJOE (1-866-766-9563)**, o enviándonos un e-mail a [help@snowjoe.com](mailto:help@snowjoe.com). Si usted no registra su Producto sus derechos de garantía no disminuirán; sin embargo, registrar su Producto permitirá que Snow Joe le pueda atender mejor si usted tiene alguna necesidad como cliente.

### ¿QUIÉN PUEDE SOLICITAR COBERTURA DE GARANTÍA LIMITADA?

Esta Garantía es otorgada por Snow Joe al comprador original y propietario original del Producto.

### ¿QUÉ NO ESTÁ CUBIERTO?

Esta Garantía no se aplica si el Producto ha sido usado de forma comercial o en aplicaciones no domésticas o de alquiler. Esta Garantía tampoco se aplica si el Producto fue adquirido desde un vendedor no autorizado. Esta garantía tampoco cubre cambios cosméticos que no afecten el funcionamiento del Producto. Las partes desgastables como correas, brocas y cuchillas no están cubiertas por esta Garantía, y pueden ser compradas visitando [snowjoe.com](http://snowjoe.com) o llamando al **1-866-SNOWJOE (1-866-766-9563)**.





# TONDEUSE À BOBINE ÉLECTRIQUE

FR

40,6 cm | 6,5 A

## MANUEL D'UTILISATION

Une division de Snow Joe®, LLC

Modèle MJ506E

Formulaire n° SJ-MJ506E-880F-MR3

## IMPORTANT!

### Consignes de sécurité

### Tous les utilisateurs doivent lire ces instructions avant d'utiliser la machine.

Suivez toujours ces consignes de sécurité. Ne pas s'y conformer peut entraîner de graves blessures pouvant même être fatales.

### AVERTISSEMENTS d'ordre général en matière de sécurité!

Quand vous utilisez cette tondeuse à bobine électrique, les précautions de sécurité de base doivent toujours être suivies pour réduire le risque d'incendie, d'électrocution ou de dommages corporels. Parmi ces précautions figurent les avertissements suivants :

**⚠️ AVERTISSEMENT!** Ne pas utiliser la machine sans que le sac à herbe complet ou d'autres dispositifs de protection et de sécurité soient en place et en bon ordre de marche.

**⚠️ AVERTISSEMENT!** L'utilisation de tout autre accessoire ou pièce attachée pourrait augmenter le risque de blessure.

**⚠️ AVERTISSEMENT!** Pour réduire le risque de blessure, inspecter fréquemment le sac à herbe et le remplacer par une pièce de rechange recommandée s'il présente des signes d'usure ou de détérioration.

Avant d'utiliser la tondeuse à gazon, prenez le temps de vous familiariser avec les commandes, surtout la façon d'arrêter la tondeuse à gazon en cas d'urgence. Les seules personnes qui doivent utiliser la tondeuse à gazon sont celles qui comprennent parfaitement les instructions et savent comment utiliser la machine. Les enfants ne doivent jamais être autorisés à avoir accès à la tondeuse à gazon.

Conservez ce manuel pour le consulter éventuellement dans le futur et relisez-le au début de chaque saison de tonte de pelouses.

### POUR LES TONDEUSES À GAZON À DOUBLE ISOLATION

- 1. Pièces de rechange** – Pour réparer cette machine, utilisez uniquement des pièces de rechange identiques. Remplacez ou réparez immédiatement tout cordon endommagé.
- 2. Fiche polarisée** – Les connexions polarisées réduisent le risque d'électrocution. Cette tondeuse à gazon est munie d'une fiche polarisée (une lame est plus large que l'autre) et nécessite l'utilisation d'une rallonge à fiche polarisée. La fiche de la tondeuse à gazon ne s'insère que d'une seule façon dans une rallonge à fiche polarisée. Si la fiche ne rentre pas complètement dans la rallonge, inversez-la. Si la fiche ne s'insère toujours pas, procurez-vous une rallonge à fiche polarisée adéquate. Une rallonge à fiche polarisée nécessite l'utilisation d'une prise de courant murale polarisée. La fiche ne s'insère que d'une seule façon dans une prise de courant murale polarisée. Si la fiche ne rentre pas complètement dans la prise de courant murale, inversez-la. Si la fiche ne s'insère toujours pas, communiquez avec un électricien qualifié pour qu'il pose une prise de courant murale adéquate. Ne modifiez en aucune façon la fiche de la machine, la prise de la rallonge ou la fiche de la rallonge.

**⚠️ AVERTISSEMENT!** Tout contact avec des pièces mobiles peut être la cause d'un happement, d'une mutilation ou d'autres blessures graves. Toujours maintenir les parties du corps (c.-à-d., les mains, les pieds) à bonne distance des pièces mobiles. Avant utilisation de la machine, s'assurer que tous les éléments couvrants et dispositifs de protection sont bien en place.

**Les surfaces chaudes (c.-à-d., le moteur) peuvent enflammer des éléments inflammables ou combustibles et déclencher un incendie ou une explosion, ce qui peut être à l'origine de graves blessures corporelles. Maintenir la tondeuse à gazon à bonne distance des éléments inflammables ou combustibles tant que les surfaces qui sont chaudes n'ont pas complètement refroidi. Ne pas remiser la tondeuse à gazon à proximité d'éléments inflammables ou combustibles.**

**Une lame endommagée ou un écrou de lame usé peut briser l'ensemble tondeuse à gazon et entraîner de graves blessures. Remplacer la lame ou l'écrou de lame endommagé avant d'utiliser la tondeuse à gazon.**



## POUR TOUTES LES TONDEUSES À GAZON

- 1. Éviter les situations dangereuses** – N'utilisez pas la tondeuse à gazon sous la pluie ou quand l'herbe est mouillée ou humide.
- 2. Maintenir à l'écart les enfants, les spectateurs et les animaux familiers** – Tenez toujours les enfants et les spectateurs à bonne distance de la tondeuse à gazon pendant son utilisation et quand elle refroidit.
- 3. S'habiller en conséquence** – Quand vous utilisez la tondeuse à gazon, portez toujours un équipement de protection individuelle (c.-à-d., des lunettes, des gants en caoutchouc, des chaussures de protection et un masque antipoussières) et des vêtements appropriés. Les vêtements amples, les cheveux longs ou les bijoux peuvent se prendre dans les pièces mobiles. Les cheveux longs doivent être ramassés sous un couvre-chef.
- 4. Utiliser une machine adaptée au travail à faire** – N'utilisez pas la tondeuse à gazon pour un travail autre que celui auquel elle est destinée.
- 5. Ne pas forcer la tondeuse à gazon** – Elle fonctionnera mieux, sera moins dangereuse et moins susceptible de tomber en panne si elle est utilisée au régime pour lequel elle a été conçue.
- 6. Ne pas s'arc-bouter** – Restez en permanence sur les deux pieds pour ne pas perdre l'équilibre.
- 7. Rester vigilant** – Soyez toujours à l'affût et surveillez ce que vous faites. Faites preuve de bon sens. N'utilisez pas la tondeuse à gazon quand vous êtes fatigué ou si vous avez consommé de l'alcool ou de la drogue. Cette tondeuse à gazon n'est pas conçue pour être utilisée par des personnes (y compris les enfants) ayant des capacités physiques, sensorielles ou mentales limitées. Elle ne doit pas être utilisée par des personnes manquant d'expérience ou de connaissances suffisantes, à moins d'être supervisées par une personne responsable de leur sécurité ou d'avoir reçu des instructions de cette personne sur la façon d'utiliser sans danger la tondeuse.
- 8. Débrancher la tondeuse à gazon** – Débranchez la tondeuse à gazon de la source d'alimentation électrique quand vous ne l'utilisez pas, avant d'intervenir dessus, quand vous changez d'accessoire ou quand vous effectuez toute autre tâche d'entretien.
- 9. Remiser la tondeuse à gazon à l'intérieur quand elle n'est pas utilisée** – Si vous ne l'utilisez pas, la tondeuse à gazon doit être remise à l'intérieur dans un endroit sec, sous clé et hors de portée des enfants.
- 10. Entretien soigneusement la tondeuse à gazon** – Pour qu'ils puissent être utilisés au mieux de leur rendement et sans danger, maintenez les tranchants affûtés et propres.  
Inspectez périodiquement le cordon de la tondeuse à gazon et, s'il est endommagé, faites-le réparer par un centre de réparation agréé. Les rallonges électriques doivent être périodiquement inspectées et immédiatement remplacées si elles sont endommagées. Maintenez le guidon et les poignées secs, propres et exempts d'huile et de graisse.

## Sécurité électrique

1. Un disjoncteur différentiel de fuite de terre (DDFT) doit être fourni sur le ou les circuits ou la ou les prises utilisés pour la tondeuse à gazon. Des prises intégrant un DDFT sont offertes et peuvent être utilisées pour répondre à cette mesure de sécurité.
2. Pour réduire le risque d'électrocution, cette machine est munie d'une fiche polarisée (c.-à-d., une lame est plus large que l'autre). Utilisez uniquement une rallonge à fiche polarisée, homologuée UL (certifiée CSA au Canada) et recommandée pour une utilisation à l'extérieur. La fiche de la machine ne s'insère que d'une seule façon dans une rallonge à fiche polarisée.  
Si la fiche de la machine ne rentre pas complètement dans la rallonge, inversez-la. Si la fiche ne s'insère toujours pas, procurez-vous une rallonge à fiche polarisée adéquate. Une rallonge à fiche polarisée nécessite l'utilisation d'une prise de courant murale polarisée. La fiche polarisée de la rallonge ne s'insère que d'une seule façon dans la prise de courant murale polarisée. Si la fiche ne rentre pas complètement dans la prise de courant murale, inversez-la. Si la fiche ne s'insère toujours pas, communiquez avec un électricien qualifié pour qu'il pose une prise de courant murale adéquate. Ne modifiez en aucune façon la fiche de la machine, la prise de la rallonge ou la fiche de la rallonge.
3. Pour éviter les électrocutions, utilisez uniquement une rallonge électrique appropriée pour une utilisation à l'extérieur, par exemple les modèles SW, SOW, STW, STOW, SJTW ou SJTOW.

Avant son utilisation, vérifiez que la rallonge électrique est en bon état. Quand vous utilisez une rallonge électrique, assurez-vous qu'elle soit de calibre suffisant pour le courant que votre machine va consommer. Une rallonge sous-dimensionnée provoquera une chute de tension dans les lignes, ce qui entraînera une perte de puissance et une surchauffe.



## AVERTISSEMENT



**Toute électrocution peut entraîner des BLESSURES GRAVES pouvant même être FATALES. Tenir compte de ces avertissements :**

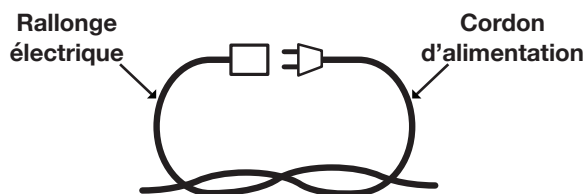
- Ne laisser aucune partie de la tondeuse à gazon entrer en contact avec de l'eau pendant son utilisation. Si la machine se mouille quand elle est à l'arrêt, l'essuyer avant de la redémarrer.
- Utiliser uniquement une rallonge électrique homologuée UL, CSA ou ETL pour l'extérieur et résistante aux intempéries.
- Ne pas utiliser de rallonge électrique d'une longueur supérieure à 30 m.
- Ne pas toucher la machine ou sa prise de courant les mains mouillées ou les pieds dans l'eau. Le port de bottes de caoutchouc offre une certaine protection.

### CARACTÉRISTIQUES DES RALLONGES ÉLECTRIQUES

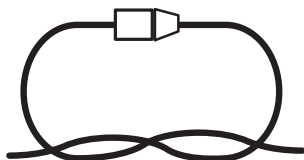
Longueur de rallonge électrique	Jusqu'à 15 m	+15 m -30 m
Calibre de fil (AWG)	16	14

4. Pour empêcher que le cordon de la machine se débranche de la rallonge électrique pendant son utilisation, faites un nœud avec les deux cordons comme l'indique l'illustration du Tableau 1.

Tableau 1. Méthode d'attache de rallonge électrique




(A) Nouer les cordons comme sur l'illustration



(B) Brancher la fiche dans la prise

5. Ne malmenez pas le cordon. Ne tirez jamais la tondeuse à gazon par le cordon et ne tirez pas brusquement sur le cordon pour le retirer de la prise. Maintenez le cordon éloigné de la chaleur, de l'huile et des objets tranchants.

## Outils et machines à double isolation

Les outils ou machines à double isolation sont dotés de deux systèmes d'isolation au lieu d'une mise à la terre. Aucune mise à la terre n'est prévue sur les outils ou machines à double isolation et aucune mise à la terre ne doit être ajoutée. Toute intervention sur un outil ou une machine à double isolation exige une attention extrême et une parfaite connaissance du système et doit être effectuée uniquement par du personnel technique qualifié chez un revendeur Snow Joe® + Sun Joe® agréé. Les pièces de rechange pour un outil ou une machine à double isolation doivent être identiques aux pièces d'origine. Les indications « Double Insulation » (Double isolation) ou « Double Insulated » (Doublement isolé) sont marquées sur tous les outils ou machines à double isolation. Le symbole  (carré dans un carré) peut être également marqué sur l'outil ou la machine.



**DOUBLE ISOLATION : MISE À LA TERRE NON REQUISE. POUR LES RÉPARATIONS, UTILISER UNIQUEMENT DES PIÈCES DE RECHANGE IDENTIQUES.**

Cette tondeuse à bobine électrique est à double isolation, éliminant ainsi la nécessité d'un système séparé de mise à la terre. Utilisez uniquement des pièces de rechange identiques. Lisez les instructions avant d'intervenir sur un outil ou une machine à double isolation. Utilisez cette tondeuse à gazon uniquement comme le décrit ce manuel.

## IMPORTANT!

### Consignes de sécurité pour les tondeuses à pousser

#### Généralités concernant l'utilisation

- Avant de démarrer, lisez, comprenez et suivez toutes les instructions sur la machine et dans le ou les manuels.
- Ne mettez ni les mains ni les pieds sous la machine. Tenez-vous toujours à l'écart de l'ouverture d'éjection.
- Maintenez en place et en bon ordre de marche les dispositifs de sécurité.
- Seuls les adultes responsables et familiarisés avec les instructions devraient être autorisés à utiliser cette machine.
- Débarrassez la zone à tondre de tout corps étranger, par exemple les roches, fils, jouets et autres éléments divers, susceptibles d'être ramassés et projetés par les lames. Restez derrière le guidon pendant que le moteur tourne.
- Avant de démarrer la machine, assurez-vous qu'il n'y a plus aucun spectateur dans la zone à tondre. Arrêtez la machine si quelqu'un pénètre dans la zone à tondre.

- N'utilisez pas la machine pieds nus ou si vous portez des sandales. Portez toujours des chaussures suffisamment montantes.
- Regardez toujours vers le bas et l'arrière quand vous utilisez la tondeuse à gazon à reculons.
- Ne dirigez jamais les matières rejetées en direction de quiconque. Évitez de diriger les matières rejetées contre un mur ou tout autre obstacle.
- Ne laissez jamais sans surveillance une machine dont le moteur tourne.
- Avant de nettoyer la machine, de retirer le sac à herbe, de changer d'accessoire ou de déboucher le déflecteur de protection d'éjection, arrêtez le moteur et attendez que les lames s'arrêtent complètement de tourner.
- Utilisez la machine uniquement à la lumière du jour ou sous un bon éclairage artificiel.
- N'utilisez pas la machine quand vous êtes fatigué ou si vous avez consommé de l'alcool ou de la drogue.
- N'utilisez jamais la tondeuse à gazon quand l'herbe est mouillée. Assurez toujours vos pas; marchez, ne courez jamais quand vous utilisez la tondeuse à gazon.
- Si la machine commence à vibrer d'une manière anormale, arrêtez le moteur et inspectez immédiatement la machine pour rechercher ce qui est à l'origine des vibrations. Les vibrations sont généralement des signes précurseurs d'un problème.
- Maintenez les lames affûtées.
- Gardez les mains et les pieds à bonne distance de l'ensemble de coupe.
- Portez toujours des lunettes de protection quand vous utilisez la machine.
- Tout ce qui est heurté par les lames de la tondeuse à gazon peut provoquer de graves blessures. Avant chaque tonte de pelouse, la zone à tondre doit toujours être inspectée attentivement et débarrassée de tout corps étranger.
- Si la tondeuse à gazon heurte quoi que ce soit, suivez ces étapes :
  - i) Arrêtez la tondeuse à gazon en relâchant les leviers marche-arrêt.
  - ii) Débranchez le cordon d'alimentation.
  - iii) Inspectez la machine pour vérifier qu'elle n'est pas endommagée.
  - iv) Réparez tout dommage avant de redémarrer et d'utiliser à nouveau la tondeuse à gazon.
- Utilisez uniquement des lames de rechange identiques.

## Utilisation sur terrain pentu

Les terrains pentus sont la cause majeure d'accidents dus à des glissades ou à des chutes et des graves blessures qu'ils peuvent entraîner. L'utilisation d'une tondeuse sur terrain pentu exige une extrême vigilance. Si vous ne vous sentez pas à l'aise sur un terrain pentu, ne le tondez pas.

- Tondez en travers de la pente, jamais en montant ou en descendant. Faites preuve d'une extrême prudence quand vous changez de direction sur un terrain pentu.
- Faites attention aux trous, aux ornières, aux bosses, aux roches et à tout ce qui peut être caché. Ils peuvent vous faire glisser ou tomber sans prévenir.
- Ne tondez pas de l'herbe mouillée ou des pelouses excessivement pentues. Si vous êtes instable sur vos deux pieds, vous risquez de glisser ou de tomber.
- Ne tondez pas à proximité d'à-pics, de fossés ou de talus. Vous pourriez perdre l'équilibre.

## Enfants

Des accidents tragiques peuvent se produire si l'utilisateur ne fait pas attention à la présence d'enfants. Les enfants font souvent preuve d'une grande curiosité à l'égard de la machine et de l'opération de tonte elle-même. Ne supposez jamais que les enfants resteront là où vous les avez vus pour la dernière fois.

















- Maintenez les enfants à l'écart de la zone à tondre et sous la stricte surveillance d'un adulte responsable autre que l'utilisateur.
- Soyez vigilant et arrêtez la tondeuse à gazon si un enfant pénètre dans la zone de travail.
- Ne laissez jamais un enfant utiliser la machine.
- Redoublez d'attention en approchant les coins aveugles, les buissons, les arbres ou tout ce qui pourrait vous empêcher de voir un enfant.

## Entretien et réparation

- Maintenez serrés tous les écrous et boulons.
- Ne trafiquez jamais les dispositifs de sécurité. Faites des vérifications régulières pour vous assurer que ces dispositifs sont en place et en bon ordre de marche.
- Ne laissez pas de l'herbe, des feuilles ou d'autres débris s'accumuler sur la tondeuse à gazon.
- N'effectuez jamais de réglages ou de réparations quand le moteur tourne. Débranchez toujours la tondeuse à bobine électrique avant de la régler, de la nettoyer ou de la réparer.
- Inspectez fréquemment les composants du sac à herbe et le déflecteur de protection d'éjection et, au besoin, remplacez-les par des pièces recommandées par le fabricant.
- Les lames de la tondeuse sont affûtées. Enveloppez les lames ou portez des gants et faites preuve d'une extrême prudence quand vous les réparez.
- Maintenez visibles les étiquettes de sécurité et d'instructions ou remplacez-les, le cas échéant.

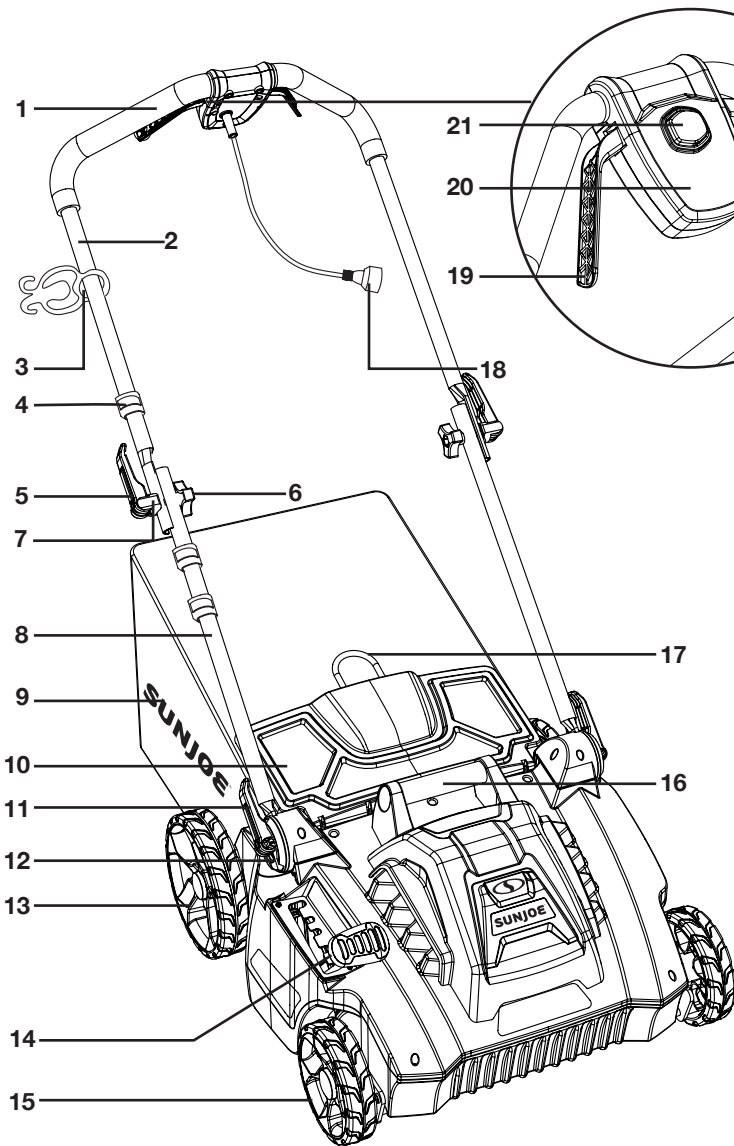
# Symboles de sécurité

Le tableau suivant décrit et explique les symboles de sécurité pouvant être marqués sur cette machine. Avant d'essayer de procéder à son assemblage et de l'utiliser, lisez, comprenez et suivez toutes les instructions sur cette machine.

Symboles	Descriptions	Symboles	Descriptions
	Étiquette CPSC de danger.		Maintenir les spectateurs et les enfants à une distance de sécurité suffisante.
	Alerte de sécurité. Mise en garde.		Pour réduire le risque de blessure, l'utilisateur doit lire le manuel d'utilisation.
	Porter une protection oculaire et une protection de l'ouïe. Pour éviter de se blesser, porter des protecteurs d'oreilles et des lunettes de sécurité.		Ne pas utiliser la machine sous la pluie.
	Débrancher la machine si le cordon est endommagé ou entortillé.		<b>AVERTISSEMENT!</b> Arrêter la machine et la débrancher de la source d'alimentation avant de l'inspecter, de la nettoyer, de changer d'accessoire ou de conduire tout autre travail d'entretien.
	La projection d'objets et les lames rotatives peuvent provoquer de graves blessures.		Risque de glissade sur terrain pentu : pour éviter toute glissade ou chute accidentelle, faire preuve d'une extrême prudence en tondant sur une pente.
	Sectionnement des orteils ou des doigts par les lames rotatives de la tondeuse.		Maintenir la rallonge électrique à bonne distance des lames.
	<b>DANGER!</b> Les lames rotatives présentent des risques de blessures graves. Tenir les mains et les pieds éloignés des ouvertures quand la machine est en marche.		Regardez vers l'arrière quand vous utilisez la tondeuse à reculons.
	Les lames continuent de tourner après avoir coupé le moteur de la machine.		Double isolation.

# Apprenez à mieux connaître votre tondeuse à bobine électrique

Avant d'utiliser la tondeuse à gazon, lisez attentivement le manuel d'utilisation et les consignes de sécurité. Comparez l'illustration ci-dessous avec la tondeuse à gazon afin de vous familiariser avec l'emplacement des différents réglages et commandes. Conservez ce manuel pour pouvoir le consulter dans le futur.



- 1. Partie rembourrée du guidon
- 2. Ensemble guidon supérieur
- 3. Crochet de retenue de rallonge électrique
- 4. Serre-câble (3)
- 5. Attache d'ensemble guidon supérieur (2)
- 6. Bouton d'ensemble guidon supérieur (2)
- 7. Rondelle d'ensemble guidon supérieur (2)
- 8. Tube inférieur de guidon (2)
- 9. Sac à herbe
- 10. Volet d'éjection
- 11. Attache d'ensemble guidon inférieur (2)
- 12. Support d'attache d'ensemble guidon inférieur (2)
- 13. Roue arrière (2)
- 14. Levier de réglage de hauteur
- 15. Roue avant (2)
- 16. Poignée de caisson
- 17. Poignée de sac à herbe
- 18. Cordon d'alimentation
- 19. Levier marche/arrêt (2)
- 20. Boîtier d'interrupteurs
- 21. Bouton-poussoir de sécurité

## Données techniques

Tension nominale.....	120 V ~ 60 Hz	Hauteur de coupe.....	25 mm   35 mm   45 mm
Puissance .....	6,5 A		55 mm   65 mm
Régime à vide.....	3 300 tr/min	Contenance du sac à herbe .....	55 l
Rotor.....	24 lames acérées en acier	Poids Net.....	14,4 kg
Largeur de coupe .....	40,6 cm		



# Déballage

## Contenu de la caisse

- Tondeuse à bobine électrique
  - Ensemble guidon supérieur
  - Tube inférieur de guidon (2)
  - Sac à herbe
  - Attache d'ensemble guidon supérieur à boulon long (2)
  - Rondelle d'ensemble guidon supérieur (2)
  - Attache de tube inférieur de guidon à boulon court (2)
  - Support d'attache de tube inférieur de guidon (2)
  - Crochet de retenue de rallonge électrique
  - Serre-câble (3)
  - Manuel et carte d'enregistrement
1. Retirez soigneusement la tondeuse à gazon de la caisse et inspectez-la pour vérifier que tous les éléments énumérés ci-dessus sont fournis.
  2. Inspectez soigneusement le contenu pour vous assurer qu'aucun élément ne s'est cassé ou n'a été endommagé pendant le transport. Si vous constatez que des pièces manquent ou sont endommagées, NE PAS retourner la caisse au magasin. Veuillez appeler le service clientèle Snow Joe® + Sun Joe® au 1-866-SNOWJOE (1-866-766-9563).

**REMARQUE :** ne jetez pas la caisse d'expédition et l'emballage tant que vous n'êtes pas prêt à utiliser votre nouvelle tondeuse à bobine électrique. L'emballage est fabriqué dans des matériaux recyclables. Éliminez ces matériaux de façon appropriée et conformément aux réglementations locales.

**IMPORTANT!** Le matériel et l'emballage ne sont pas des jouets. Ne laissez pas les enfants jouer avec les sacs en plastique, les feuilles métalliques ou les petites pièces. Ces éléments peuvent être avalés et risquent de provoquer une suffocation!

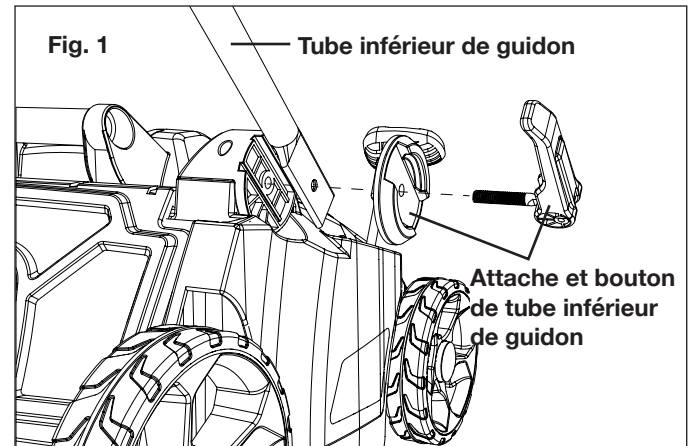
## Assemblage

**⚠ AVERTISSEMENT!** Ne pas brancher la machine sur une source d'alimentation électrique tant que l'assemblage n'est pas terminé. Ne pas tenir compte de cet avertissement peut entraîner un démarrage accidentel et de graves blessures.

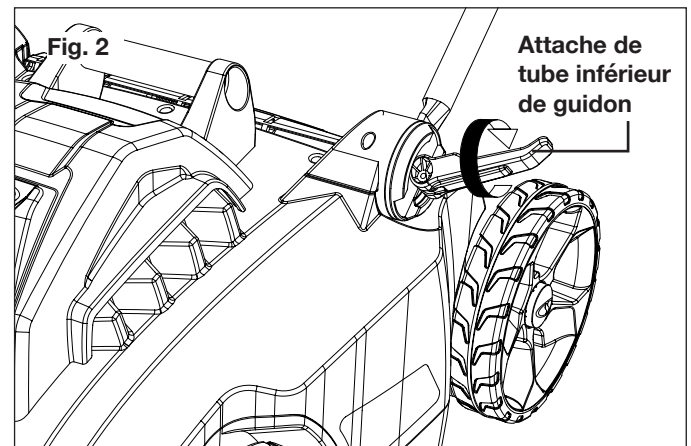
**⚠ AVERTISSEMENT!** Ne jamais utiliser la tondeuse sans que les dispositifs de sécurité adéquats soient en place. Ne pas utiliser la tondeuse si un dispositif de sécurité est endommagé. Toute personne ne tenant pas compte de cet avertissement peut se blesser gravement.

## Assemblage du guidon

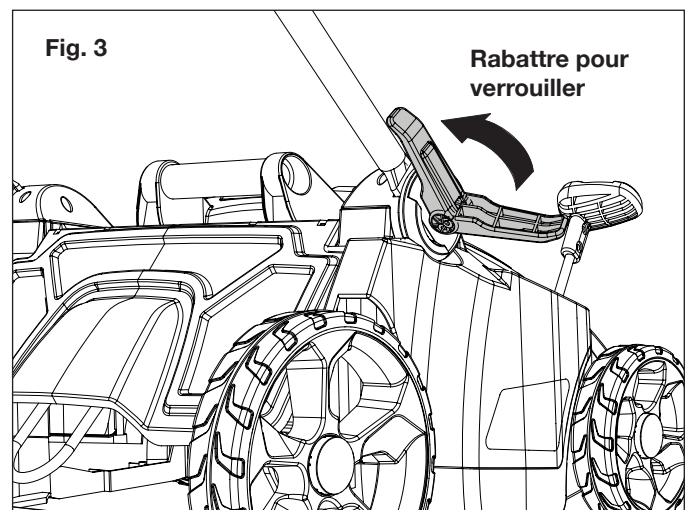
1. Placez le tube inférieur de guidon du côté du levier de réglage de hauteur de la machine. Attachez à l'aide d'un support d'attache et d'une attache de tube inférieur de guidon à boulon court (Fig. 1).



2. Tournez l'attache dans le sens des aiguilles d'une montre jusqu'à ce qu'elle soit presque serrée (Fig. 2).



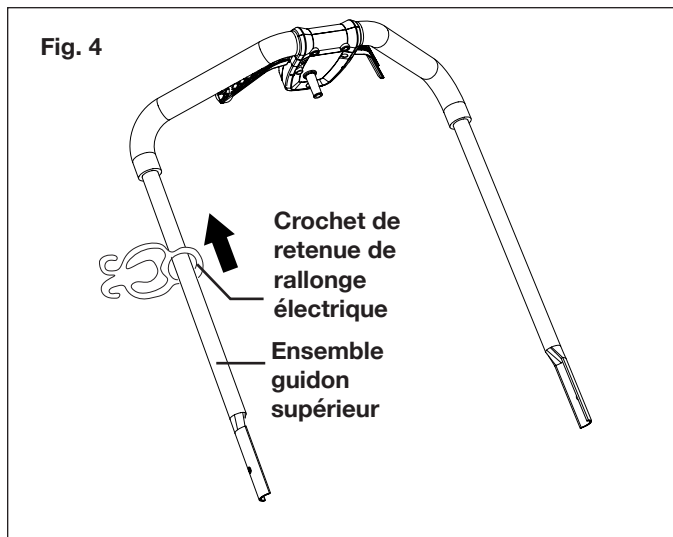
3. Alignez l'attache avec l'encoche pratiquée dans le support d'attache. Rabattez l'attache en appuyant fermement dessus pour la verrouiller (Fig. 3).



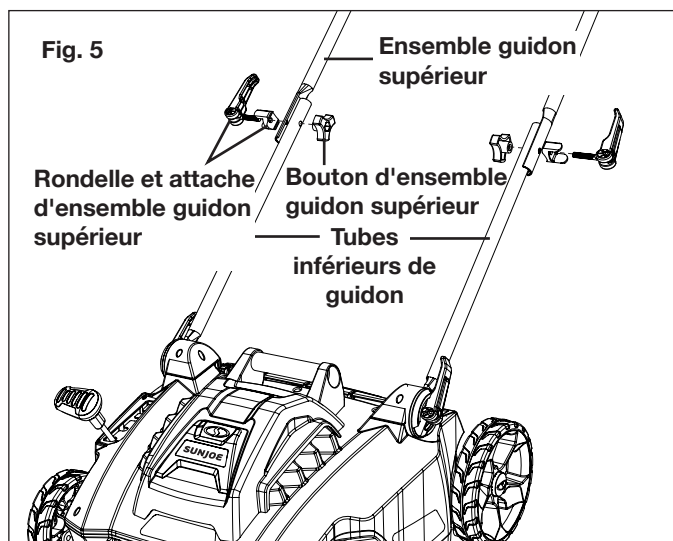


**REMARQUE :** s'il est trop difficile de rabattre l'attache, desserrez-la d'un à deux tours avant d'essayer à nouveau.

4. Pour assembler le tube inférieur de guidon de l'autre côté, répétez les instructions ci-dessus.
5. Faites glisser le crochet de retenue de rallonge électrique sur l'ensemble guidon supérieur (Fig. 4).

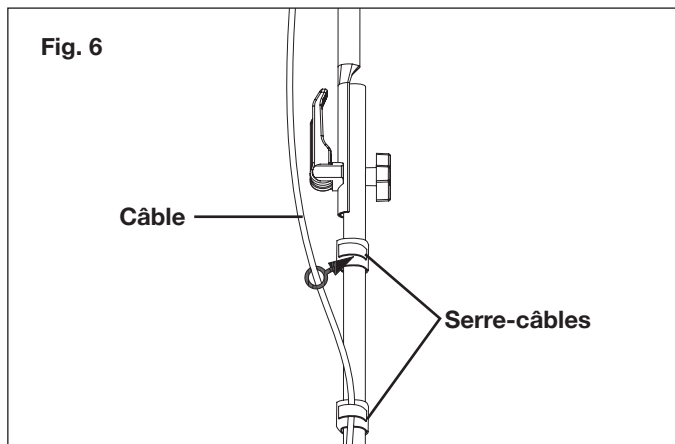


6. Placez l'ensemble guidon supérieur sur les extrémités de chaque tube inférieur de guidon et attachez-les ensemble à l'aide des attaches à boulon long, des rondelles et des boutons, comme l'indique l'illustration. Serrez bien, puis rabattez l'attache pour la verrouiller (Fig. 5).



**REMARQUE :** s'il est trop difficile de rabattre l'attache, desserrez-la d'un à deux tours avant d'essayer à nouveau.

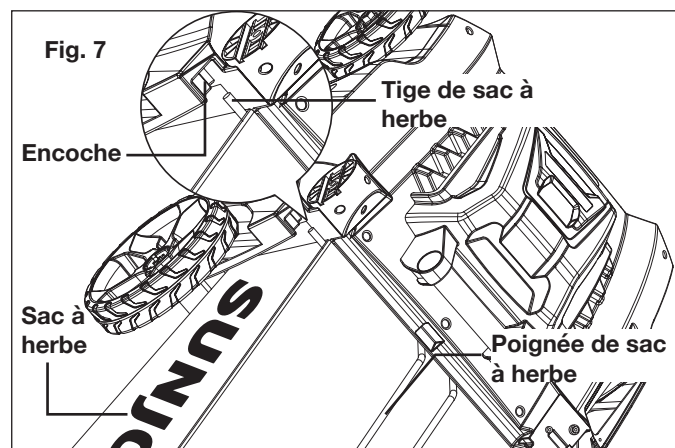
7. Attachez les serre-câbles et insérez le câble dans les serre-câbles (Fig. 6)



## Assemblage et ajustage du sac à herbe

Le sac à herbe empêche l'herbe coupée de s'éparpiller sur la pelouse quand vous la tondez.

1. D'une main, relevez le volet d'éjection. De l'autre main, tenez le sac à herbe par la poignée et accrochez-le par le dessus. Assurez-vous que les tiges du sac sont insérées dans les encoches des deux côtés (Fig. 7).



## Utilisation

Cette tondeuse à gazon est destinée à un usage résidentiel privé consistant à tondre les pelouses de petite superficie dans les jardins. Cette tondeuse n'est pas adaptée pour tondre le gazon dans les parcs publics, les terrains de jeu, les fermes ou les forêts. N'utilisez pas cette tondeuse à gazon pour un travail autre que celui auquel elle est destinée.

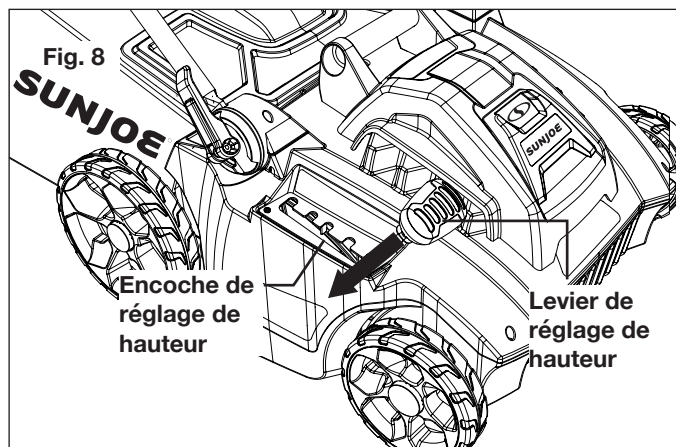
## Réglage de la hauteur de coupe

Cette tondeuse à bobine électrique est équipée d'un système de réglage de hauteur à cinq positions pour régler sur mesure les hauteurs de coupe de l'herbe de 25 mm à 65 mm. Pour changer la hauteur de coupe de l'herbe, suivez les instructions ci-dessous.

**⚠️ AVERTISSEMENT!** Avant de procéder à ces réglages, débrancher la tondeuse à gazon et attendre que les lames se soient complètement arrêtées de tourner.

**TOUJOURS SUIVRE LES MESURES DE SÉCURITÉ ET LES RECOMMANDATIONS ÉNUMÉRÉES PRÉCÉDEMMENT DANS CE MANUEL.**

1. Coupez le moteur et débranchez la tondeuse à gazon.
2. Poussez le levier de réglage de hauteur de coupe pour le dégager de l'encoche dans laquelle il est placé (Fig. 8).



3. Insérez la tige dans l'encoche voulue.  
**Les 5 positions du réglage de la hauteur de coupe :**
  - (1) 25 mm
  - (2) 35 mm
  - (3) 45 mm
  - (4) 55 mm
  - (5) 65 mm
4. Rebranchez la tondeuse à gazon et reprenez normalement la tonte.

**Démarrage et arrêt**

Ne mettez pas en marche la tondeuse à gazon tant qu'elle n'est pas entièrement assemblée. Avant de mettre en marche la machine, inspectez toujours son cordon d'alimentation et la rallonge électrique pour vérifier qu'ils ne sont pas endommagés. Utilisez uniquement des cordons intacts.

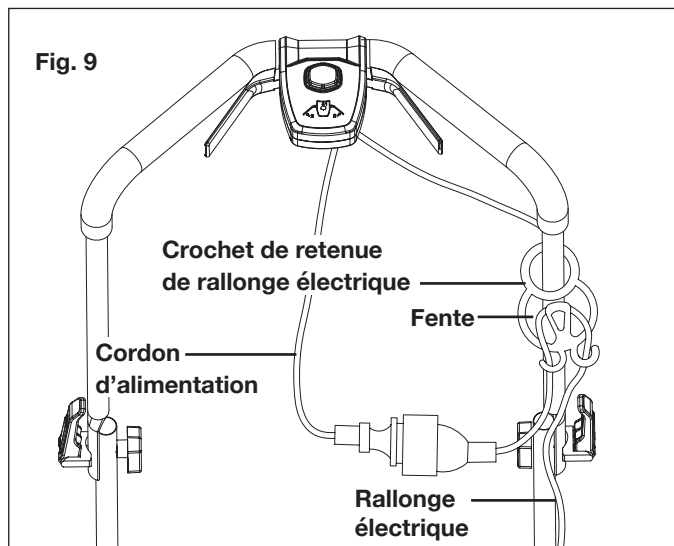
**⚠️ AVERTISSEMENT!** Les cordons d'alimentation endommagés risquent de blesser gravement. Remplacer immédiatement tout cordon endommagé.

**⚠️ AVERTISSEMENT!** Avant de démarrer la tondeuse à gazon, vérifiez que rien n'est à son contact. Maintenez les pieds et les mains à bonne distance des lames rotatives de la tondeuse et de l'ouverture d'éjection. Toute personne ne tenant pas compte de ces avertissements peut se blesser gravement.

**IMPORTANT :** ne démarrez pas la tondeuse à gazon dans de l'herbe haute.

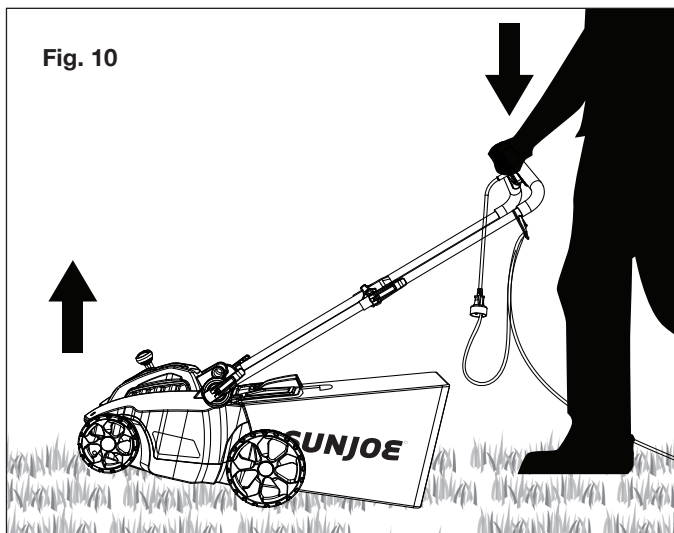
1. Placez la machine dans un endroit où la pelouse est de niveau.

2. Poussez la boucle de la rallonge électrique à travers la fente pratiquée dans le crochet de retenue de rallonge électrique en l'enroulant du côté opposé, autour du crochet de retenue. Insérez le cordon d'alimentation dans la rallonge électrique (Fig. 9).

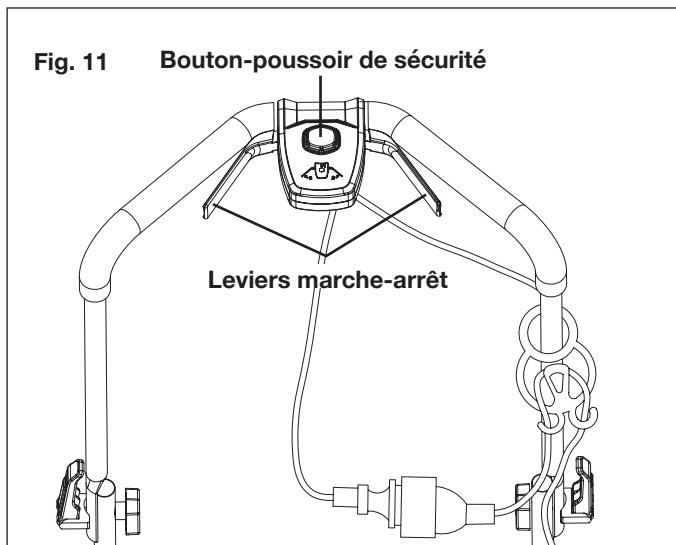


**REMARQUE :** ne branchez pas la rallonge électrique dans la prise tant qu'elle n'est pas attachée au crochet de retenue de la rallonge et branchée dans le cordon d'alimentation de la tondeuse à gazon. Utilisez uniquement une rallonge homologuée UL pour l'extérieur et tout temps. N'utilisez pas de rallonge supérieure à 30 m. Reportez-vous au tableau des rallonges électriques en page 3.

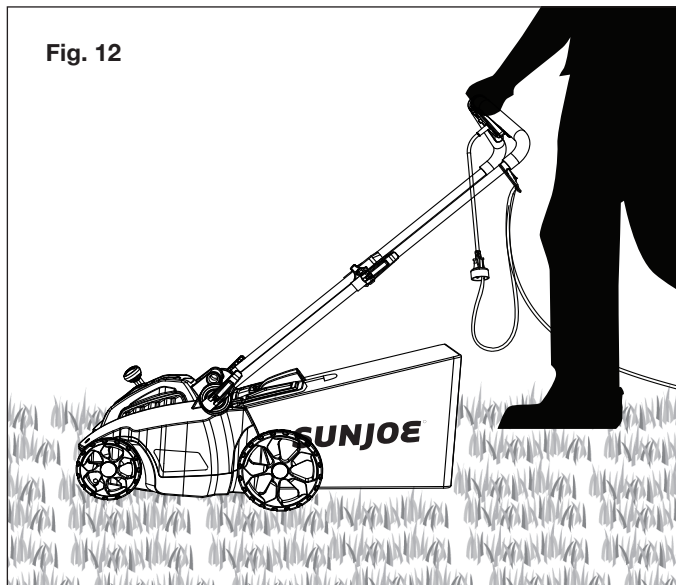
3. Placez la partie lâche de la rallonge électrique sur la pelouse, à proximité de l'endroit où vous allez commencer à tondre.
4. Avant de démarrer la tondeuse à gazon, tenez le guidon des deux mains et inclinez-le vers le bas pour lever légèrement l'avant de la machine. Vous réduirez ainsi le risque d'endommager la pelouse au démarrage (Fig. 10).



5. Pour démarrer la tondeuse à gazon, en utilisant une main, appuyez sur le bouton-poussoir de sécurité en le maintenant enfoncé et, de l'autre main, pressez un des leviers marche-arrêt. Une fois que la machine est en marche, relâchez le bouton-poussoir de sécurité et pressez les deux leviers marche-arrêt à l'aide des deux mains (Fig. 11).



6. Laissez le moteur monter en régime en abaissant doucement l'avant de la tondeuse à gazon et commencez à tondre (Fig. 12).



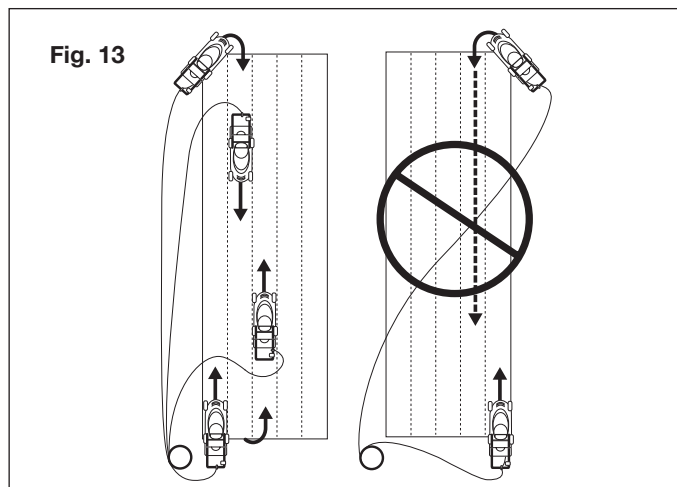
7. Pour arrêter la tondeuse à gazon, relâchez les leviers marche-arrêt (Fig. 11).

## Conseils pour la tonte

**⚠️ AVERTISSEMENT!** Inspecter la zone à tondre avant de tondre et retirer tous les bâtons, pierres, fils et autres débris qui pourraient être projetés par les lames rotatives.

**REMARQUE :** des lames affûtées améliorent nettement le rendement de la tondeuse à gazon, surtout s'il s'agit de couper des herbes hautes.

- Prenez soin d'inspecter périodiquement les lames pour vérifier si elles présentent des signes d'usure et remplacez-les au moins une fois par an comme cela est décrit dans la section Entretien.
- Pour éviter de vous électrocuter, n'utilisez pas la tondeuse à gazon quand l'herbe est humide ou mouillée.
- Ne tondez pas en décrivant des cercles. Déplacez-vous d'un côté à l'autre de la pelouse en suivant le chemin tracé (Fig. 13).
- Quand vous tondez de l'herbe épaisse, réduisez votre vitesse de progression pour vous permettre de tondre plus efficacement et rejeter de façon appropriée l'herbe coupée. Pour obtenir une pelouse saine, coupez toujours un tiers ou moins de la longueur totale de l'herbe. La hauteur moyenne de l'herbe d'une pelouse doit se situer approximativement entre 3,8 et 5 cm pendant la saison froide et être supérieure à 5 cm pendant la saison chaude. S'il y a repousse, la pelouse doit être tondue à l'automne.



- Pendant que vous tondez, assurez-vous que le cordon d'alimentation est toujours derrière vous et qu'il repose sur la partie de la pelouse déjà tondue.
- La pelouse aura un meilleur aspect si elle est toujours tondue à la même hauteur et en croisant les directions.
- Quand vous traversez des zones recouvertes de gravier, relâchez les leviers marche-arrêt pour arrêter la tondeuse à gazon. Des pierres peuvent être ramassées et projetées par les lames rotatives.
- Quand vous tondez sur un terrain accidenté ou de mauvaises herbes hautes, réglez la tondeuse à gazon sur la hauteur de coupe maximale.

**⚠️ AVERTISSEMENT!** Si la tondeuse heurte quoi que ce soit, arrêter le moteur et débrancher le cordon d'alimentation. Inspecter soigneusement la tondeuse à gazon pour vérifier qu'elle n'est pas endommagée. Réparer tout dommage avant d'utiliser la tondeuse à gazon.

## Entretien

**⚠️ AVERTISSEMENT!** Avant de nettoyer, réparer ou inspecter la tondeuse à gazon, débrancher le cordon d'alimentation de la machine et vérifier que toutes les pièces mobiles sont complètement arrêtées.

### Généralités

- Veillez à ce que la tondeuse à gazon soit toujours propre et qu'il n'y ait ni herbe, saleté ou autres débris accumulés dessus.
- Maintenez le guidon sec, propre et exempt d'huile et de graisse.
- Après chaque tonte, retirez l'herbe coupée et les débris qui se sont accumulés à l'aide d'un chiffon propre ou d'une brosse à main. Vous pouvez également nettoyer le matériel à l'aide d'un chiffon humide. N'utilisez ni agents nettoyants ni solvants corrosifs, car ils peuvent endommager les pièces en plastique de la machine. Assurez-vous qu'il n'y ait pas d'eau qui pénètre à l'intérieur de la machine et qui puisse détruire l'interrupteur et le moteur électrique.
- Ne nettoyez pas la tondeuse à gazon à l'eau courante et bien évidemment pas à l'eau à haute pression.
- Avant chaque utilisation, vérifiez que tous les écrous, boulons et vis sont correctement serrés.
- Inspectez fréquemment le sac à herbe pour déceler la présence éventuelle de signes d'usure et remplacez immédiatement toute pièce endommagée par une pièce d'origine Snow Joe® + Sun Joe®.
- Remplacez immédiatement les composants excessivement usés ou endommagés.

## Lubrification

Une quantité suffisante de lubrifiants de qualité supérieure a été utilisée pour lubrifier tous les roulements de cette machine pendant toute sa durée de vie, sous des conditions normales d'utilisation. C'est pourquoi il n'est pas nécessaire de lubrifier une nouvelle fois les roulements.

Au début de chaque saison de tonte, lubrifiez les ressorts de la trappe d'éjection arrière en utilisant une huile fine.

## Entretien des lames

**IMPORTANT :** les lames de la tondeuse sont acérées et peuvent provoquer de graves blessures si elles sont manipulées de façon inappropriée. Portez des gants de protection et faites preuve d'une extrême prudence quand vous les manipulez.

Les lames d'acier sont conçues pour que la coupe de l'herbe haute ou drue soit franche. La détérioration de la qualité de tonte indique que les lames sont usées ou endommagées.

**⚠️ AVERTISSEMENT!** Si une tondeuse à gazon vibre de manière excessive, cela veut dire que le rotor de lames n'est pas bien équilibré ou qu'il s'est déformé en heurtant un obstacle. Dans ce cas, veuillez appeler le service clientèle Snow Joe® + Sun Joe® au 1-866-SNOWJOE (1-866-766-9563) pour de l'aide.

## Changement des lames

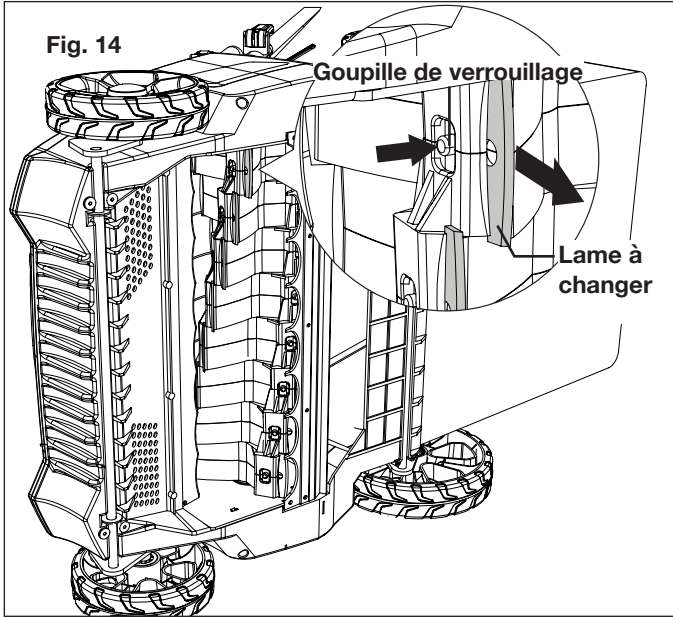
**⚠️ AVERTISSEMENT!** Pour manipuler les lames, porter des gants résistants.

**IMPORTANT :** utilisez uniquement les pièces de rechange spécifiées pour cette tondeuse à gazon.

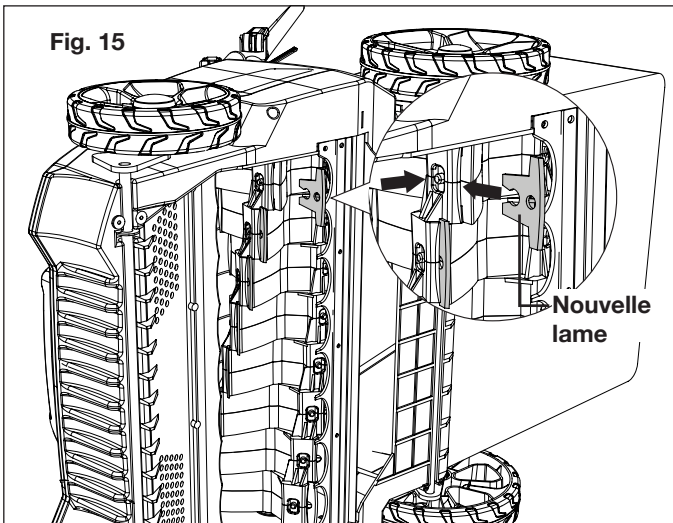
Vous pouvez acheter un jeu de lames de rechange (modèle MJ506E-24BLDS) et d'autres pièces de rechange d'origine en passant votre commande en ligne sur le site [snowjoe.com](http://snowjoe.com), ou par téléphone en appelant le service clientèle Snow Joe® + Sun Joe® au 1-866-SNOWJOE (1-866-766-9563). L'utilisation de pièces qui ne répondent pas aux spécifications de la machine d'origine peut être la cause d'un rendement anormal de la tondeuse à gazon, peut compromettre la sécurité de l'utilisateur et annuler la garantie du fabricant.

1. Débranchez la tondeuse à gazon de la source d'alimentation électrique.
2. Retournez la tondeuse à gazon sur son flanc pour pouvoir accéder au dessous des lames.
3. Mettez des gants résistants.
4. Pour retirer les lames usées, travaillez sur une pièce à la fois. Appuyez sur la goupille de verrouillage de la lame usée. En même temps, tirez la lame pour la dégager de son encoche (Fig. 14). Répétez la même opération pour les autres lames à changer.





5. Pour insérer la nouvelle lame, appuyez sur la goupille de verrouillage et, en même temps, insérez une nouvelle lame (une pièce) dans l'encoche en la poussant jusqu'à ce qu'elle se mette en place en s'encliquetant (Fig. 15). Répétez la même opération pour les autres lames de rechange.



**REMARQUE :** assurez-vous que la goupille de verrouillage saute et que la nouvelle lame soit bien verrouillée avant de passer à une autre lame à changer.

## Remisage

Suivez les étapes ci-dessous pour préparer la tondeuse à gazon avant son remisage :

1. Débranchez la tondeuse à gazon de la source d'alimentation électrique.
2. Nettoyez la tondeuse à gazon à l'aide d'un chiffon mouillé ou d'une brosse à main.
3. Inspectez soigneusement la tondeuse à gazon pour déceler la présence éventuelle de pièces usées, desserrées ou endommagées. Vérifiez les raccords et les vis et resserrez au besoin. Prenez particulièrement soin des lames de la tondeuse et remplacez-les ou réaffutez-les si elles présentent des signes d'usure. Consultez la section Entretien.
4. Remisez la tondeuse à gazon à l'intérieur dans un endroit sec, propre, frais et hors de portée des enfants. Ne remisez pas la machine à proximité de matériaux corrosifs, par exemple de l'engrais ou du chlorure de sodium.
5. Essuyez la rallonge électrique pour retirer toute substance étrangère, par exemple de l'huile ou des taches. Remplacez immédiatement la rallonge électrique si elle est coupée ou endommagée, d'une façon ou d'une autre.
6. Enroulez le cordon sur lui-même pour l'empêcher de s'entortiller.
7. Ne recouvrez pas la tondeuse à gazon d'une bâche en plastique. Les couvertures en plastique retiennent l'humidité autour de la tondeuse à gazon, ce qui peut endommager la machine.

## Entretien, réparations et assistance technique

Si votre tondeuse à bobine électrique Sun Joe® MJ506E nécessite une réparation ou un entretien, veuillez appeler le service clientèle Snow Joe® + Sun Joe® au 1-866-SNOWJOE (1-866-766-9563) pour de l'aide.

## Numéros de modèle et de série

Lorsque vous communiquez avec l'entreprise pour commander des pièces, vous devez fournir les numéros de modèle et de série de votre machine. Ceux-ci se trouvent sur l'étiquette autocollante apposée sur le caisson ou le guidon de votre tondeuse à gazon. Copiez ces numéros dans l'espace réservé ci-dessous.

Veuillez noter les numéros suivants sur le caisson ou le guidon de votre nouvelle machine :

N° de modèle :

M | J | 5 | 0 | 6 | E | \_\_\_\_\_

N° de série :

\_\_\_\_\_

## Dépannage

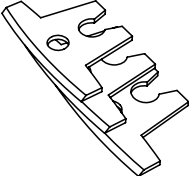
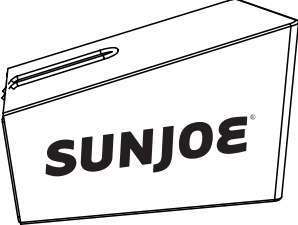
Problème	Solution
Le moteur ne tourne pas	<ul style="list-style-type: none"><li>• Vérifiez la tension de secteur, la rallonge électrique et le coupe-circuit (fusible).</li><li>• Nettoyez le conduit d'éjection et le carter.</li><li>• Démarrez la tondeuse à gazon sur de l'herbe rase ou dans un endroit préalablement tondu et inclinez-la vers l'arrière.</li><li>• Corrigez la hauteur de coupe.</li></ul>
La puissance du moteur faiblit	<ul style="list-style-type: none"><li>• Vérifiez que vous utilisez une rallonge électrique appropriée, de calibre et de longueur adéquats (voir le tableau des caractéristiques des rallonges électriques, en page 3).</li><li>• La tension de la source d'alimentation (p. ex., générateur) est trop basse.</li></ul>
Le rendement du moteur chute	<ul style="list-style-type: none"><li>• Corrigez la hauteur de coupe.</li><li>• Nettoyez le conduit d'éjection et le carter.</li><li>• Remplacez ou réaffutez les lames de la tondeuse (communiquez avec un centre d'entretien et de réparation Snow Joe® + Sun Joe® agréé).</li></ul>
Le sac à herbe ne se remplit pas suffisamment	<ul style="list-style-type: none"><li>• Corrigez la hauteur de coupe.</li><li>• Laissez sécher la pelouse.</li><li>• Nettoyez le conduit d'éjection et le carter.</li></ul>

Seul un spécialiste de l'entreprise peut solutionner les pannes qui ne peuvent pas l'être à l'aide de ce tableau. Veuillez appeler le service clientèle Snow Joe® + Sun Joe® au 1-866-SNOWJOE (1-866-766-9563).



## Accessoires en option

**⚠️ AVERTISSEMENT!** TOUJOURS utiliser des pièces de rechange et des accessoires Snow Joe® + Sun Joe® homologués. NE JAMAIS utiliser des pièces de rechange ou des accessoires qui ne sont pas destinés à être utilisés avec cette machine. Communiquez avec Snow Joe® + Sun Joe® si vous n'êtes pas sûr que l'utilisation d'une pièce de rechange ou d'un accessoire particulier avec votre machine soit sans danger. L'utilisation de tout autre accessoire ou de toute autre pièce détachée peut être dangereuse et pourrait provoquer des dommages corporels ou mécaniques.

Accessoires	Description	Modèle
<p>①</p> 	Jeu de 24 lames de rechange	MJ506E-24BLDS
<p>②</p> 	Sac à herbe de 55 l	MJ506E-BAG

**REMARQUE :** les accessoires sont sous réserve de changements sans que Snow Joe® + Sun Joe® soit pour autant tenue de donner un préavis desdits changements. Les accessoires peuvent être commandés en ligne sur le site [sunjoe.com](http://sunjoe.com) ou par téléphone en appelant le service clientèle Snow Joe® + Sun Joe® au 1-866-SNOWJOE (1-866-766-9563).



## LA PROMESSE DE SNOW JOE® + SUN JOE® À SES CLIENTS

Vous êtes notre client et Snow Joe, LLC (« Snow Joe ») **SE MET EN QUATRE** pour vous servir. Nous nous efforçons de vous rendre l'utilisation de nos produits aussi plaisante que possible. Malheureusement, il peut arriver qu'un produit Snow Joe®, Sun Joe® ou Aqua Joe (« Produit ») ne fonctionne pas ou se casse dans des conditions d'utilisation normales. Nous pensons qu'il est important que vous sachiez ce que vous pouvez attendre de nous. C'est pourquoi nous avons une garantie limitée (« Garantie ») pour nos Produits.

### NOTRE GARANTIE :

Snow Joe déclare et garantit que les Produits neufs, d'origine, électriques ou non électriques sont exempts de vices de matière ou de fabrication et, lorsqu'ils font l'objet d'une utilisation résidentielle et ménagère ordinaire, les garantit pendant une période de deux ans à compter de la date d'achat au détail par l'acheteur primitif auprès de Snow Joe ou d'un des revendeurs agréés de Snow Joe, preuve d'achat à l'appui. Étant donné que Snow Joe ne peut pas contrôler la qualité de ses Produits vendus par des revendeurs non agréés, sauf stipulation contraire de la loi, la présente Garantie ne couvre pas les Produits achetés auprès de vendeurs non agréés. Si votre Produit ne fonctionne pas ou si une pièce spécifique couverte par les modalités de la présente Garantie fait l'objet d'un problème quelconque, Snow Joe choisira (1) de vous envoyer une pièce de rechange gratuite, (2) de remplacer le Produit par un produit neuf ou comparable, gratuitement, ou (3) de réparer le Produit. Génial, n'est-ce pas?

**La présente Garantie vous donne des droits judiciaires spécifiques, et vous pouvez également avoir d'autres droits qui peuvent varier d'une province ou d'un territoire à l'autre.**

### ENREGISTREMENT DU PRODUIT :

Snow Joe vous recommande vivement d'enregistrer votre Produit. Vous pouvez l'enregistrer en ligne sur le site [snowjoe.com/register](http://snowjoe.com/register), ou en imprimant et en envoyant par courrier une carte d'enregistrement offerte en ligne sur notre site Web, ou par téléphone en appelant notre Service à la clientèle au **1-866-SNOWJOE (1-866-766-9563)**, ou encore en nous envoyant un courriel à l'adresse [help@snowjoe.com](mailto:help@snowjoe.com). Le fait de ne pas enregistrer l'achat de votre Produit n'a aucune conséquence sur vos droits concernant la garantie. Toutefois, l'enregistrement de votre Produit permettra à Snow Joe de mieux répondre au moindre besoin que vous pourriez avoir en matière de service à la clientèle.

### QUI PEUT REVENDIQUER LA COUVERTURE DE LA GARANTIE?

La présente Garantie est étendue par Snow Joe à l'acheteur et propriétaire primitif du Produit.

### QU'EST-CE QUI N'EST PAS COUVERT?

La présente Garantie ne s'applique pas si le Produit a été utilisé commercialement, pour des travaux non résidentiels ou s'il fait l'objet d'une location. La présente Garantie ne s'applique pas non plus si le Produit a été acheté auprès d'un revendeur non agréé. La présente garantie ne couvre pas non plus les changements cosmétiques qui n'affectent pas le rendement. Les pièces d'usure comme les courroies, les tarières, les chaînes et les dents ne sont pas couvertes au titre de la présente Garantie et peuvent être achetées en ligne sur le site [snowjoe.com](http://snowjoe.com) ou en appelant le **1-866-SNOWJOE (1-866-766-9563)**.



---

---

---

---

---

---

---

---

---

---

---

---

---

---

---

---

---

---

---

---

---

---

---

---

---

---

---



[sunjoe.com](http://sunjoe.com)